

SELECTION MANUAL FOR

# D-SUB Series Connectors

D-SUB SERIES CONNECTORS

Stock Code: 300351



Connection  
and Interconnection Technology

Solution

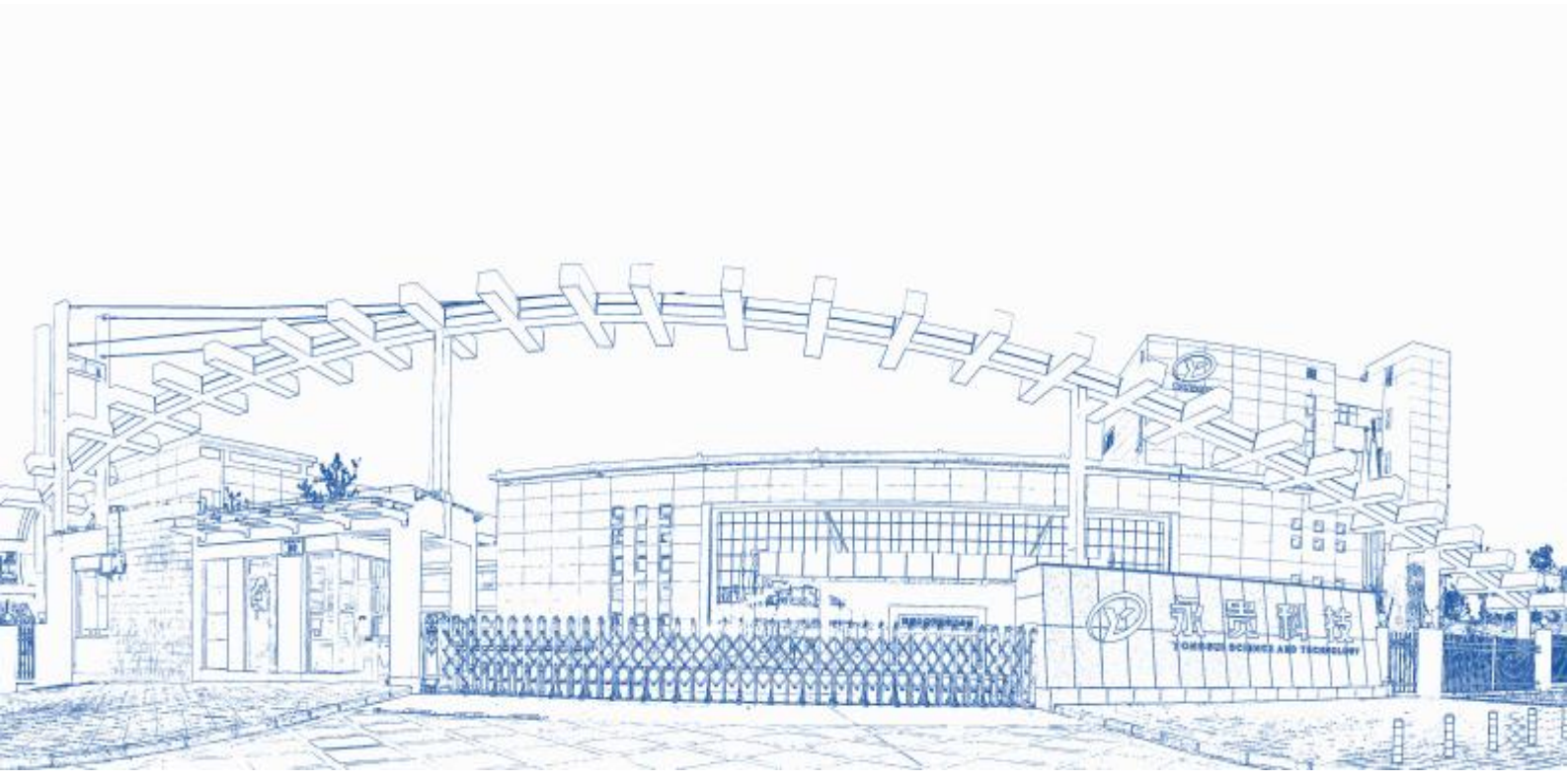
Connection and Interconnection Technology Solution

Sichuan Yonggui Science and Technology Co., Ltd.

Focus on Customers to Maximize Value

CORPORATE VISION

# World Class Interconnect Solutions Provider



# COMPANY PROFILE

## Company Profile

Zhejiang Yonggui Electric Co., Ltd. is a national high-tech enterprise focusing on the research and development, manufacturing, sales and technical support of various types of electrical connectors, connector components and precision intelligent products, and was listed on the Shenzhen Stock Exchange in 2012 (Stock Code: 300351). The Company's production and sales of rail transit connectors account for the first market share of domestic rail transit connectors, supporting the supply of CRRC, 18 railroad bureaus and cities with rail transit; Yonggui has entered the supply chain system of Huawei, Siemens (China), Alstom, Mitsubishi, Hitachi, Toyo China, GE (China), Chery, BYD, JAC, Yutong, etc. Headquartered in Tiantai, Zhejiang Province, the Company has three wholly-owned subsidiaries, four holding subsidiaries, production bases and R & D centers in the headquarters in Zhejiang Province, Mianyang, Sichuan Province, Beijing, Shenzhen, Jiangsu, Chongqing. The Company has also established production, research and development cooperation with Tsinghua University, Zhejiang University, the Institute of Railway Science and other famous universities and colleges. The Company's products have been authorized by 449 national patents, and have passed quality systems and product quality certifications such as ISO9001 Certification, ISO/TS22163 Certification, CRCC Certification, ETL Certification and U.

Sichuan Yonggui Science and Technology Co., Ltd. was established in March 2008, with a registered capital of 100 million Yuan and assets worth 1.12 billion Yuan, which is a wholly-owned subsidiary of Zhejiang Yonggui Electric Equipment Co., Ltd. The Company covers an area of more than 12 hectares, plant and office area of more than 180,000 square meters; of which, the built-up area is more than 110,000 square meters; the second phase of the project under construction is more than 3.8 hectares, the building area is more than 70,000 square meters; with 4,500 sets (sets) of all kinds of R & D and production equipment, it is a National High-Tech Enterprise, National Intellectual Property Demonstration Enterprise, National Speciality and new Small Giant Enterprise, National Green Factory, with independent core technology, which can provide reliable connector series products and technical service for the national key equipment industry, and provide overall solution for interconnection system.



# BUSINESS FIELD



Rail transportation: high-speed rail, subway, locomotive, maglev train, etc.  
Industrial: wind power, solar energy, industrial equipment, medical, etc.



Vehicle: new energy passenger cars, commercial vehicles, special-purpose vehicles, etc.  
Charging: charging pile, household charging, liquid-cooled high-power charging pile, power exchange, etc.

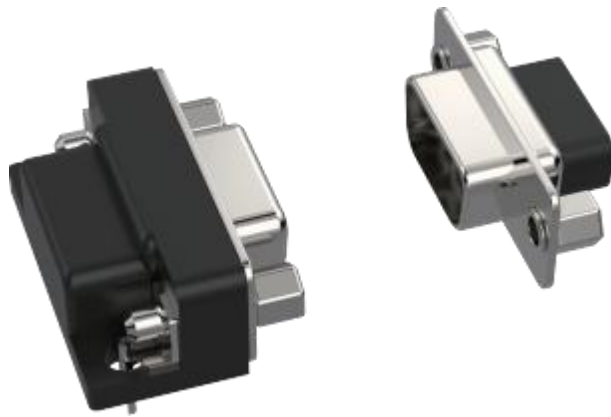


Defense: aerospace, electronics, naval, etc.  
Specialty: explosion-proof, deep water, nuclear power, shore power, aircraft, etc.



Communications: communications base stations, databases, modular power supplies, etc.  
Energy storage: automotive and household, power systems, industrial energy storage, etc.

# *D-sub Series Connectors*



Technology Connects the Future



# CONTENTS

## D-SUB Series Connectors

---

---

- Product Profile
- Technical Data Sheet.....
- Model Designation
- Type Arrangement
- Signal Standard.....
- Signal High-Density Type.....
- High Current Type.....
- Mixed-use
- High-Pressure Resistant.....
- MVB Series and CAN Series.....

## D-sub Series Connectors

### • Product Profile

D-sub series connectors (referred to as D-series): D-series rectangular connectors are a kind of internationally used electrical connectors. D-series rectangular connectors are a kind of internationally used electrical connectors. They have good electrical performance, electromagnetic compatibility performance and environmental resistance.

### • Product Classification

D series connectors are divided into three categories by termination method:

- (1) Crimp type connectors are often used as mobile connectors. Connectors do not contain contacts; contacts are purchased separately, the contacts are connected to the cable by cold crimping;
- (2) Soldered wire type connectors are often used as mobile connectors; Connectors contain contacts; contacts are soldered to the cable;
- (3) Soldered board type connectors are often used as a fixed-end connectors, Connectors contain contacts, and the contacts are connected to the PCB by soldering;

Note: Crimp and soldered wire types are also available as fixed end connectors with the appropriate accessories.



The D series connectors are categorized into three types by connector function:

- (1) Signal connectors are divided into standard ( $\phi 1$ ) and high-density types according to contact specifications.  
( $\phi 0.67$ );
- 2) Power connectors are divided into 10A, 20A, 30A, contact specifications is  $\phi 3.6$ ;
- (3) Mixed connector: the connector contacts are mixed for  $\phi 1$  and  $\phi 3.6$  specifications;

Note: Crimp and soldered wire types are also available as fixed end connectors with the appropriate accessories.

D-Series connectors are categorized into three types by connector Housing type: E-type, A-type, B-type, C-type, and D-type.

Code	E-Type	A Type	B Type	C Type	D Type
Signal Standard	9	15	25	37	50
Signal High Density Type	15	26	44	62	78
Power Supply	2	3	5	8	
Mixed Loading	5	7	9, 13	21, 25, 27	24
High Pressure Resistance	2	-	-	-	-

### • Selection and Configuration Table

• Optional Materials	① Connector	② Contact parts (Procured Separately)	③ Outlet Box Assembly (Separate) (Purchase)/Cable Clamp Assembly	④ Locking Attachment (Purchased Separately) as an option for the Fixed End.
----------------------	-------------	---------------------------------------	--	---

### • Graphical Representation



### • Optional

Option 1: ① + ② + ③ Description: as Mobile End  
 Option 2: ① + ② + ④ Description: as a Fixed End

- **Selection Notes**

1. The connector is divided into plug and socket, the plug is equipped with male pins, and the socket is equipped with female pins;
2. The specific structure of the connector is shown in <Pxx 5.Connector Appearance and Installation Dimensions>.
3. For contactor selection, see <Pxx 6. Contactor Specifications and Mating Wire Requirements (Purchased Separately)>.
4. See <Pxx Appendix Dust cover (Purchased Separately)> for the optional dust cover kit.

Please contact us for the optional accessories for the threaded structure.



## [Electrical Parameters]

Contact Specification	Φ0.76	Φ1	Φ2	Φ3.6
Rated Current	2A	5A	20A	30A
Contact Resistance	≤15mΩ	≤10mΩ	≤1.5mΩ	≤4mΩ
Insulation Resistance	5000MΩ	5000MΩ	5000MΩ	5000MΩ
Withstanding Voltage	750V AC	1000V AC	2500V AC	1000V AC
High Voltage Resistance - - - - -				

## [Mechanical Parameters]

Item	Parameter
Mechanical life:	500 cycles
Vibration:	Meet GB/T 21563 Class I B vibration requirements
Shock:	Meet GB/T 21563 Class I B vibration requirements

## [Other Parameters]

Item	Parameter
Working Temperature:	-55°C~+125°C
Humidity:	95% (at 40°C)
Protection Class:	IP40 (with suitable outlet box assembly)
Environmental Protection:	RoHS
Material:	Outer Housing: connector housing; steel strip Outlet box housing/cable clamp: zinc alloy; Insulator: engineering plastic; Flame retardant rating: EN 45545; Pinhole parts: copper alloy;
Finish:	Connector Housing: Nickel Plated/Passivated; Outlet Box Housing: Trivalent Chromium Passivated/Nickel Plated; Pinhole: Gold Plated

## [Rated current drop rate according to TB/T 3412]

Item	Parameter				
Number of Contacts	1 to 10	11 to 20	21 to 30	31 to 50	More than 50
Rated current drop rate	0	10%	20%	30%	50%

## D-sub Series Connectors-Model Designation

### Signal Connectors

	D	E	-	9	P	Y	-	S	II	-	A
--	---	---	---	---	---	---	---	---	----	---	---

① Series name:  
 D: Standard  
 HD: High Density Type  
 YD: Special Housing (Stainless Steel Housing)

② Housing No. E/A/B/C/D

3. Number of Contacts:  
 Φ1 contacts: 9/15/25/37/50  
 Φ0.76 Contacts: 15/26/44/62/78

④ Type of contact:  
 P: Pin  
 S: Jack

⑤ Form of termination: crimp

6. With or without annexes  
 Not marked: Basic, without accessories  
 S: with locking stud

⑨ Attachment form:  
 Basic not marked, no accessories  
 I: Screw locking studs  
 II: Panel riveting studs

⑩ Extended model:  
 Basic (omitted), A, B .....

Note: 1. Connectors are ordered separately, see <Pxx 6. Connector Specifications and Mating Wire Requirements (Purchased Separately)> for ordering list;  
 2. ⑨ Specifications, can be customized and developed according to customer needs;  
 3. Please contact us for the extended type;

### High Current Connectors

	D	E	-	2	P	-	0d
--	---	---	---	---	---	---	----

① Series name:  
 D: Standard  
 YD: special housing (stainless steel housing)

② Housing No. E/A/B/C/D

3. Number of Contacts:  
 Φ3.6 Contacts: 2/3/5/8

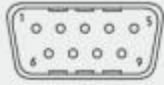
④ Type of contact:  
 P: Pin  
 S: Jack

Connector self-contained high current contact status  
 0d: without pinhole parts  
 2d/3d/5d/8d: 2 core/3 core/5 core/8 core

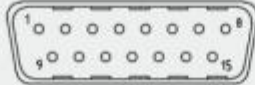
## D-sub Series Connectors - Type Arrangement

### Type arrangement (viewed from the front of the pin insulator/male end)

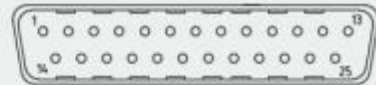
#### Signal - Standard



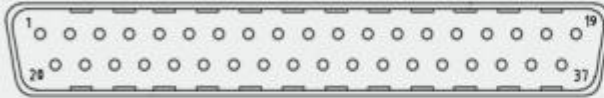
Housing number: E  
Core number: 9×Φ1



Housing number: A  
Core number: 15×Φ1



Housing number: B  
Core number: 25×Φ1

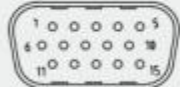


Housing number: C  
Core number: 37×Φ1

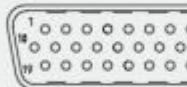


Housing number: D  
Core number: 50×Φ1

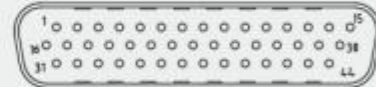
#### Signal - high density type



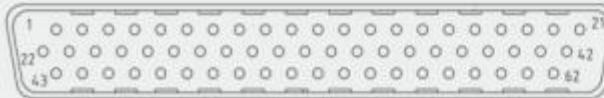
Housing number: E  
Core number: 9×Φ1



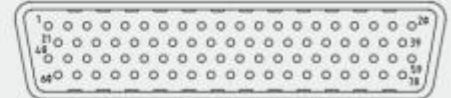
Housing number: A  
Core number: 15×Φ1



Housing number: B  
Core number: 25×Φ1



Housing number: C  
Core number: 37×Φ1



Housing number: D  
Core number: 50×Φ1

#### Power Supply Type



Housing number: E  
Core number: 2×Φ3.6



Housing number: A  
Core number: 3×Φ3.6



Housing number: B  
Core number: 5×Φ3.6



Housing number: E  
Number of cores: 2 × Φ3.6  
(1 soldered wire 1 hole)

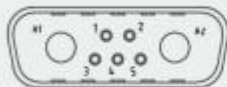


Housing number: A  
Core number: 3 × Φ3.6 (2 pins, 1 hole)

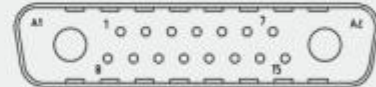


Housing number: C  
Core number: 8×Φ3.6

#### Mixed Type



Housing number: A  
Core number: 2×Φ3.6 + 5×Φ1



Housing number: B  
Core number: 2×Φ3.6 + 15×Φ1



Housing number: C  
Core number: 4×Φ3.6 + 17×Φ1



Housing number: C  
Core number: 3×Φ3.6 + 22×Φ1

# D-sub Series Connectors - *Signal Standard Type*



- D-sub series connectors
- The D series rectangular connector is an internationally recognized electrical connector.
- Good electrical performance, electromagnetic compatibility and environmental performance
  
- Signal standard type
- Mainly used for power supply and Gigabit network signaling, rated voltage less than 250V, current range 1A~4A

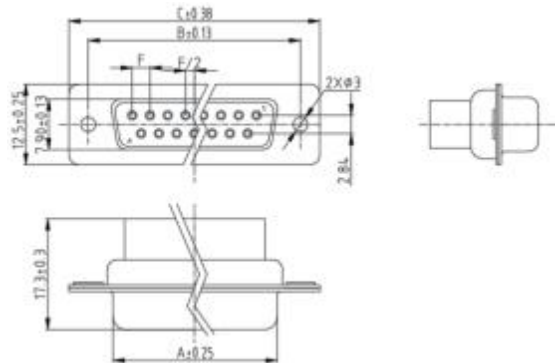
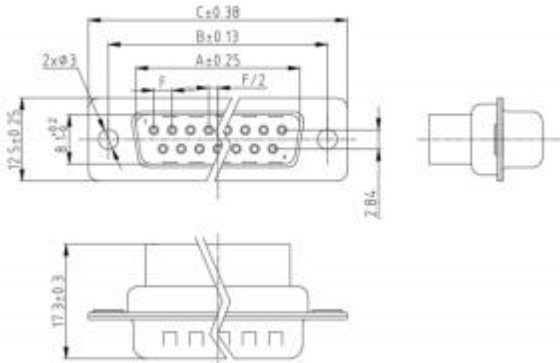


# D-sub Series Connectors - Signal Standard Type

## Crimp Type

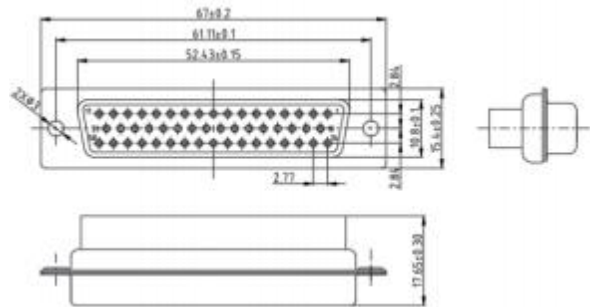
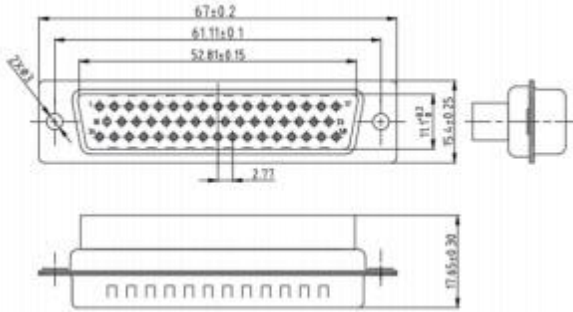


## Size and Model Details



Model/Name	Order Number	A	B	C	F	Number of Contacts	Contact Type
DE-9PY Plug	115060003001	16.94	24.99	30.81	2.74	9	Pin-Crimp
DE-15PY Plug	115060003002	25.25	33.32	39.14	2.74	15	Pin-Crimp
DE-25PY Plug	115060003003	38.96	47.04	53.04	2.77	25	Pin-Crimp
DE-37PY Plug	115060003004	55.43	63.50	69.32	2.77	37	Pin-Crimp

Model/Name	Order Number	A	B	C	F	Number of Contacts	Contact Type
DE-9SY Socket	115160002501	16.33	24.99	30.81	2.74	9	Jack-Crimp
DE-15SY Socket	115160002502	24.66	33.32	39.14	2.74	15	Jack-Crimp
DE-25SY Socket	115160002503	38.38	47.04	53.04	2.77	25	Jack-Crimp
DE-37SY Socket	115160002504	54.84	63.50	69.32	2.77	37	Jack-Crimp



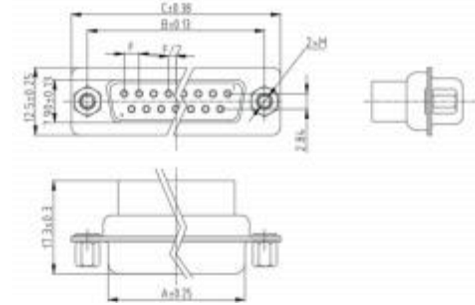
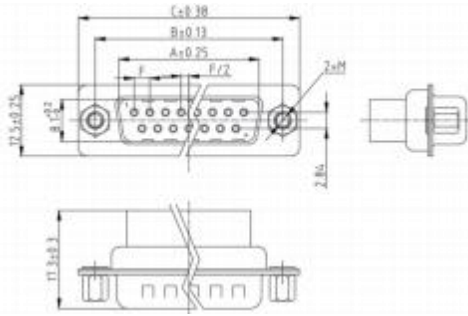
Model/Name	Order Number	Number of Contacts	Contact Type	Model/Name	Order Number	Number of Contacts	Contact Type
DD-50PY Plug	112012000069	50	Pin-Crimp	DD-50SY Socket	112022000106	50	Jack-Crimp

# D-sub Series Connectors - Signal Standard Type

## Crimp Type

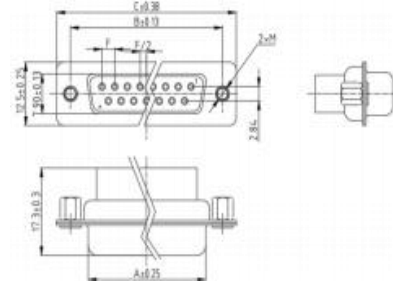
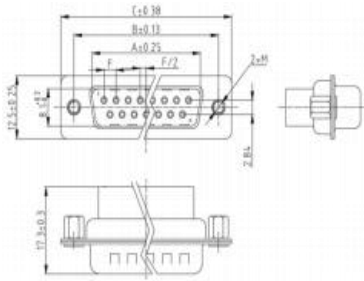


## Size and Model Details



Model/Name	Order Number	A	B	C	F	M	Number of Contacts
DE-9PY-SIIPlugs	115060003301	16.94	24.99	30.81	2.74	4-40UNC	9
DE-15PY-SIIPlugs	115060003302	25.25	33.32	39.14	2.74	4-40UNC	15
DE-25PY-SIIPlugs	115060003303	38.96	47.04	53.04	2.77	4-40UNC	25
DE-37PY-SIIPlugs	115060003304	55.43	63.50	69.32	2.77	4-40UNC	37
DE-9PY-SII-A Plugs	115060003305	16.94	24.99	30.81	2.74	M3	9
DE-15PY-SII-A Plugs	115060003306	25.25	33.32	39.14	2.74	M3	15
DE-25PY-SII-A Plugs	115060003307	38.96	47.04	53.04	2.77	M3	25
DE-37PY-SII-A Plugs	115060003308	55.43	63.50	69.32	2.77	M3	37

Model/Name	Order Number	A	B	C	F	M	Number of Contacts
DE-9SYS-II Socket	115160002801	16.94	24.99	30.81	2.74	4-40UNC	9
DE-15SYS-II Socket	115160002802	25.25	33.32	39.14	2.74	4-40UNC	15
DE-25SYS-II Socket	115160002803	38.96	47.04	53.04	2.77	4-40UNC	25
DE-37SYS-II Socket	115160002804	55.43	63.50	69.32	2.77	4-40UNC	37
DE-9SY-SII-A Socket	115160002805	16.94	24.99	30.81	2.74	M3	9
DE-15SY-SII-A Socket	115160002806	25.25	33.32	39.14	2.74	M3	15
DE-25SY-SII-A Socket	115160002807	38.96	47.04	53.04	2.77	M3	25
DE-37SY-SII-A Socket	115160002808	55.43	63.50	69.32	2.77	M3	37



Model/Name	Order Number	A	B	C	F	M	Number of Contacts
DE-9PY-SII-B Plugs	115060015301	16.94	24.99	30.81	2.74	4-40UNC	9
DE-15PY-SII-B Plugs	115060015302	25.25	33.32	39.14	2.74	4-40UNC	15
DE-25PY-SII-B Plugs	115060015303	38.96	47.04	53.04	2.77	4-40UNC	25
DE-37PY-SII-B Plugs	115060015304	55.43	63.50	69.32	2.77	4-40UNC	37
DE-9PY-SII-C Plugs	115060015305	16.94	24.99	30.81	2.74	M3	9
DE-15PY-SII-C Plugs	115060015306	25.25	33.32	39.14	2.74	M3	15
DE-25PY-SII-C Plugs	115060015307	38.96	47.04	53.04	2.77	M3	25

Model/Name	Order Number	A	B	C	F	M	Number of Contacts
DE-9SY-SII-B Socket	115160014901	16.94	24.99	30.81	2.74	4-40UNC	9
DE-15SY-SII-B Socket	115160014902	25.25	33.32	39.14	2.74	4-40UNC	15
DE-25SY-SII-B Socket	115160014903	38.96	47.04	53.04	2.77	4-40UNC	25
DE-37SY-SII-B Socket	115160014904	55.43	63.50	69.32	2.77	4-40UNC	37
DE-9SY-SII-C Socket	115160014905	16.94	24.99	30.81	2.74	M3	9
DE-15SY-SII-C Socket	115160014906	25.25	33.32	39.14	2.74	M3	15
DE-25SY-SII-C Socket	115160014907	38.96	47.04	53.04	2.77	M3	25
DE-37SY-SII-C Socket	115160014908	55.43	63.50	69.32	2.77	M3	37

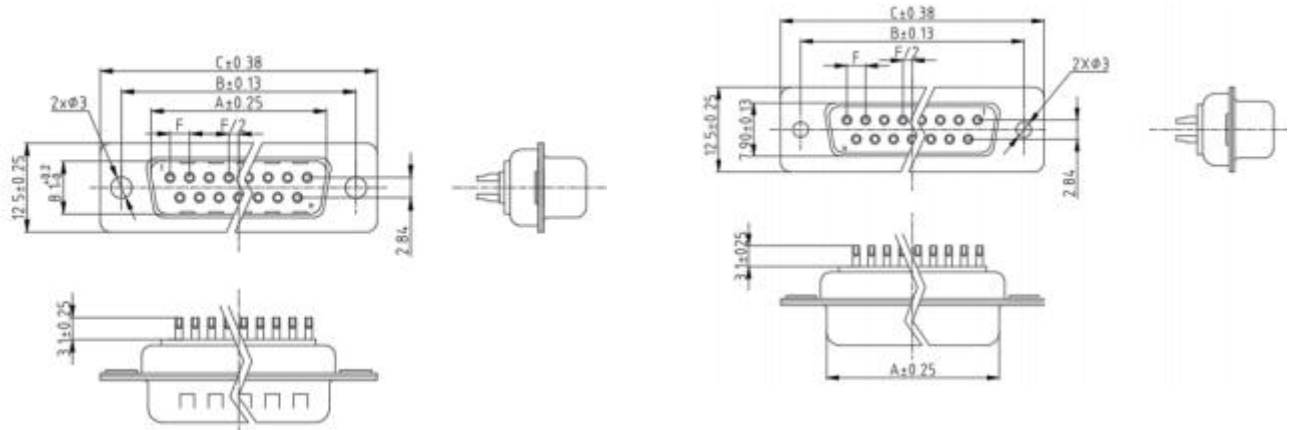
Notes: if it needs to develop 50 cores please contact us if needed;

# D-sub Series Connectors - Signal Standard Type

## Soldered Type

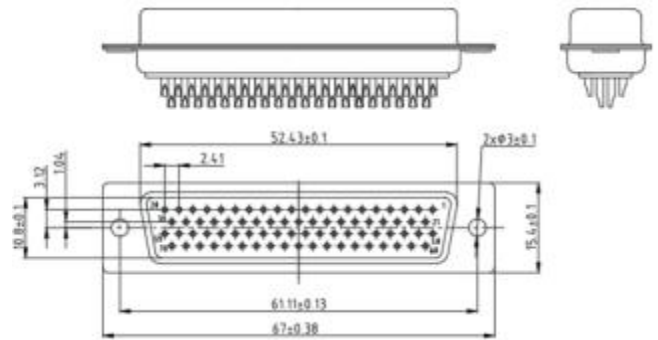
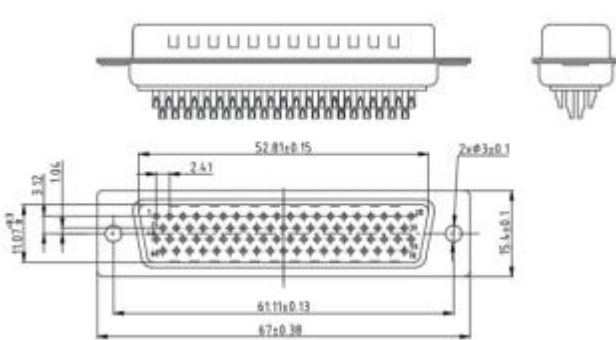


## Size and Model Details



Model/Name	Order Number	A	B	C	F	Number of Contacts	Contact Type
DE-9P Plug	115060002601	16.94	24.99	30.81	2.74	9	Pin-Soldered Wire
DE-15P Plug	115060002602	25.25	33.32	39.14	2.74	15	Pin-Soldered Wire
DE-25P Plug	115060002603	38.96	47.04	53.04	2.77	25	Pin-Soldered Wire
DE-37P Plug	115060002604	55.43	63.50	69.32	2.77	37	Pin-Soldered Wire

Model/Name	Order Number	A	B	C	F	Number of Contacts	Contact Type
DE-9S Socket	115160002101	16.33	24.99	30.81	2.74	9	Pin-Soldered Wire
DE-15S Socket	115160002102	24.66	33.32	39.14	2.74	15	Pin-Soldered Wire
DE-25S Socket	115160002103	38.38	47.04	53.04	2.77	25	Pin-Soldered Wire
DE-37S Socket	115160002104	54.84	63.50	69.32	2.77	37	Pin-Soldered Wire



Model/Name	Order Number	Number of contacts	Contact Type
DD-50P Plug	112012000068	50	Pin-Soldered Wire

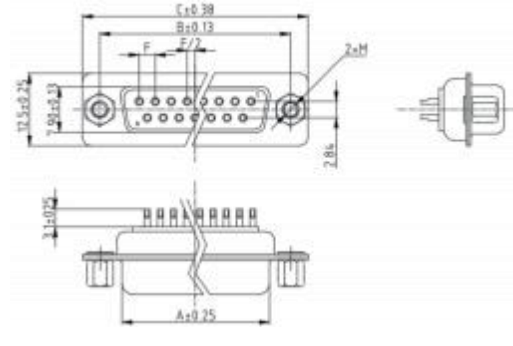
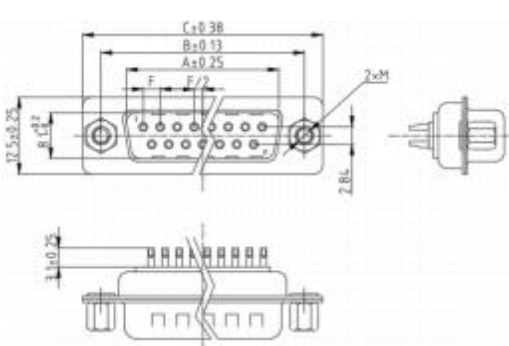
Model/Name	Order Number	Number of Contacts	Contact Type
DD-50S Socket	112022000105	50	Jack-Soldered Wires

## D-sub Series Connectors - Signal Standard Type

### Soldered Type

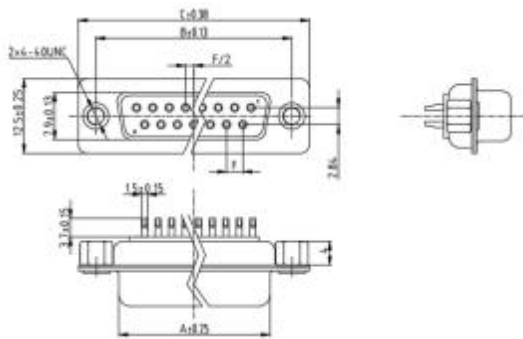
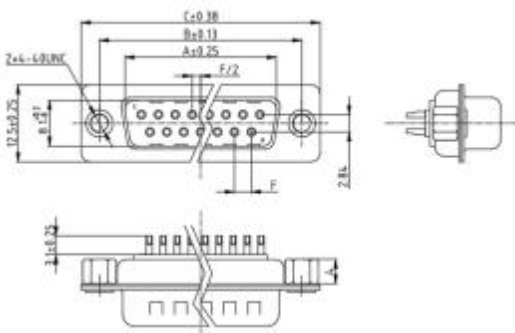


### Size and Model Details



Model/Name	Order Number	A	B	C	F	M	Number of Contacts
DE-9PS-II Plugs	115060004001	16.94	24.99	30.81	2.74	4-40UNC	9
DE-15PS-II Plugs	115060004002	25.25	33.32	39.14	2.74	4-40UNC	15
DE-25PS-II Plugs	115060004003	38.96	47.04	53.04	2.77	4-40UNC	25
DE-37PS-II Plugs	115060004004	55.43	63.50	69.32	2.77	4-40UNC	37
DE-9P-SII-A Plugs	115060004005	16.94	24.99	30.81	2.74	M3	9
DE-15P-SII-A Plugs	115060004006	25.25	33.32	39.14	2.74	M3	15
DE-25P-SII-A Plugs	115060004007	38.96	47.04	53.04	2.77	M3	25

Model/Name	Order Number	A	B	C	F	M	Number of Contacts
DE-9SS-II Socket	115160003701	16.33	24.99	30.81	2.74	4-40UNC	9
DE-15SS-II Socket	115160003702	24.66	33.32	39.14	2.74	4-40UNC	15
DE-25SS-II Socket	115160003703	38.38	47.04	53.04	2.77	4-40UNC	25
DE-37SS-II Socket	115160003704	54.84	63.50	69.32	2.77	4-40UNC	37
DE-9S-SII-A Plugs	115160003705	16.33	24.99	30.81	2.74	M3	9
DE-15S-SII-A Plugs	115160003706	24.66	33.32	39.14	2.74	M3	15
DE-25S-SII-A Plugs	115160003707	38.38	47.04	53.04	2.77	M3	25
DE-37S-SII-A Plugs	115160003708	54.84	63.50	69.32	2.77	M3	37



Model/Name	Order No.	A	B	C	F	Number of Contacts
DE-9P-SIIF Plug	115060015801	16.94	24.99	30.81	2.74	9
DE-15P-SIIF Plug	115060015802	25.25	33.32	39.14	2.74	15
DE-25P-SIIF Plug	115060015803	38.96	47.04	53.04	2.77	25
DE-37P-SIIF Plug	115060015804	55.43	63.50	69.32	2.77	37

Model/Name	Order No.	A	B	C	F	M	Number of Contacts
DE-9S-SIIF Plug	115160015201	16.33	24.99	30.81	2.74		9
DE-15S-SIIF Plug	115160015202	24.66	33.32	39.14	2.74		15
DE-25S-SIIF Plug	115160015203	38.38	47.04	53.04	2.77		25
DE-37S-SIIF Plug	115160015204	54.84	63.50	69.32	2.77		37

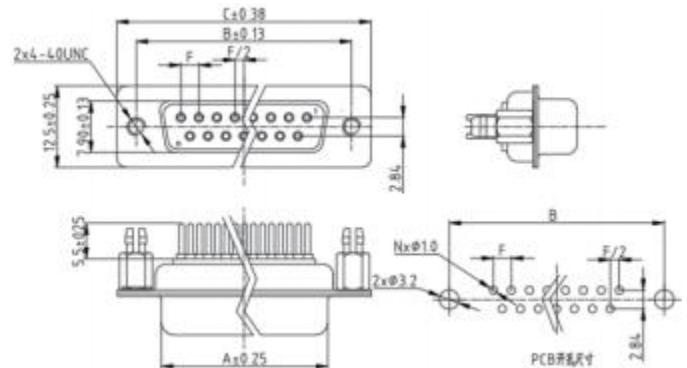
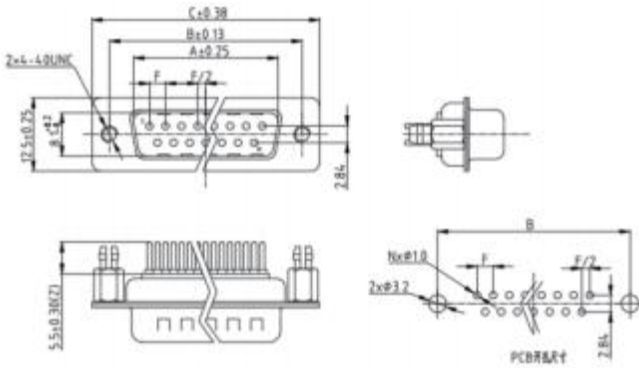


# D-sub Series Connectors - Signal Standard Type

## Soldered Board Type



## Size and Model Details

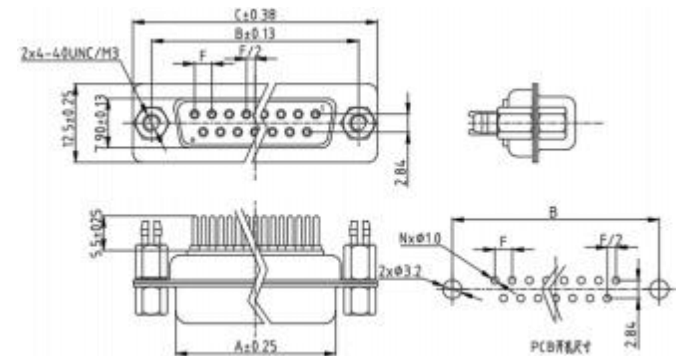
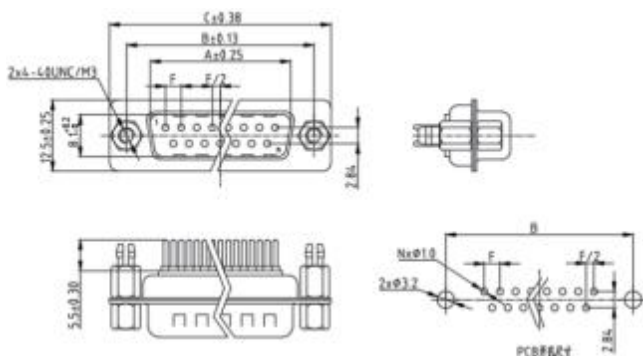


Note: This type of locknut is ordered separately; see Locking Accessories for model numbers.

Note: This type of locknut is ordered separately; see Locking Accessories for model numbers.

Model/Name	Order No.	A	B	C	F	Number of Contacts
DE-9PZS-III Plugs	115060003501	16.94	24.99	30.81	2.74	9
DA-15PZS-III Plugs	115060003502	25.25	33.32	39.14	2.74	15
DB-25PZS-III Plugs	115060003503	38.96	47.04	53.04	2.77	25
DC-37PZS-III Plugs	115060003504	55.43	63.50	69.32	2.77	37

Model/Name	Order No.	A	B	C	F	Number of Contacts
DE-9SZS-III Socket	115160003001	16.33	24.99	30.81	2.74	9
DA-15SZS-III Socket	115160003002	24.66	33.32	39.14	2.74	15
DB-25SZS-III Socket	115160003003	38.38	47.04	53.04	2.77	25
DC-37SZS-III Socket	115160003004	54.84	63.50	69.32	2.77	37



Model/Name	Order Number	A	B	C	F	M	Number of Contacts
Plug DE-9PZS-III-B	115060002601	16.94	24.99	30.81	2.74	4-40UNC	9
Plug DE-15PZS-III-B	115060003002	25.25	33.32	39.14	2.74	4-40UNC	15
Plug DE-25PZS-III-B	115060003003	38.96	47.04	53.04	2.77	4-40UNC	25
Plug DE-37PZS-III-B	115060003004	55.43	63.50	69.32	2.77	4-40UNC	37
Plug DE-9PZS-III-D	115060014301	16.94	24.99	30.81	2.74	M3	9
Plug DA-15PZS-III-D	115060014302	25.25	33.32	39.14	2.74	M3	15
Plug DB-25PZS-III-D	115060014303	38.96	47.04	53.04	2.77	M3	25
Plug DC-37PZS-III-D	115060014304	55.43	63.50	69.32	2.77	M3	37

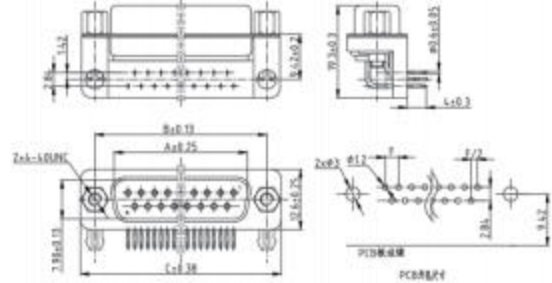
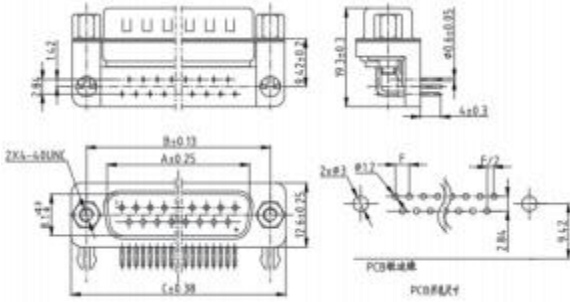
Model/Name	Order Number	A	B	C	F	M	Number of Contacts
DE-9SZS-III-B Socket	115160003101	16.33	24.99	30.81	2.74	4-40UNC	9
DA-15SZS-III-B Socket	115160003102	24.66	33.32	39.14	2.74	4-40UNC	15
DB-25SZS-III-B Socket	115160003103	38.38	47.04	53.04	2.77	4-40UNC	25
DC-37SZS-III-B Socket	115160003104	54.84	63.50	69.32	2.77	4-40UNC	37
DE-9SZS-III-D Socket	115160013901	16.33	24.99	30.81	2.74	M3	9
DA-15SZS-III-D Socket	115160013902	24.66	33.32	39.14	2.74	M3	15
DB-25SZS-III-D Socket	115160013903	38.38	47.04	53.04	2.77	M3	25
DC-37SZS-III-D Socket	115160013904	54.84	63.50	69.32	2.77	M3	37

# D-sub Series Connectors - Signal Standard Type

## Soldered Board Type

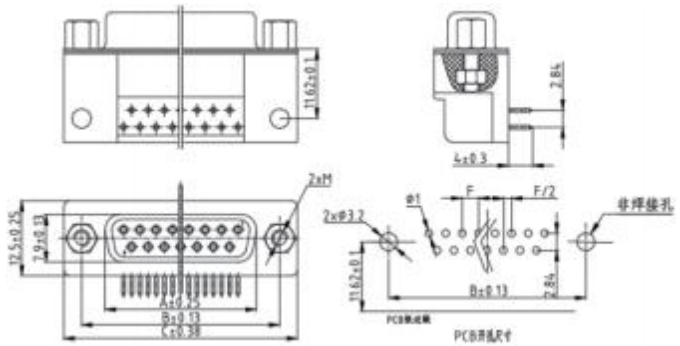
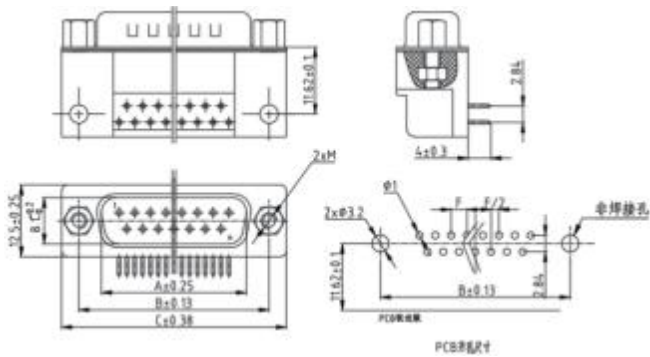


## Size and Model Details



Model/Name	Order No.	A	B	C	F	Number of Contacts
Plug DE-9PLS-7.2-T	115160003201	16.94	24.99	30.81	2.74	9
Plug DA-15PLS-7.2-T	115160003202	25.25	33.32	39.14	2.74	15
DB-25PLS-7.2-T Plugs	115160003203	38.96	47.04	53.04	2.77	25

Model/Name	Order No.	A	B	C	F	Number of Contacts
DE-9SLS-7.2-T Socket	115160003301	16.94	24.99	30.81	2.74	9
DA-15SLS-7.2-T Socket	115160003302	25.25	33.32	39.14	2.74	15
DB-25SLS-7.2-T Socket	115160003303	38.96	47.04	53.04	2.77	25
DC-37SLS-7.2-T Socket	115160003304	55.43	63.50	69.32	2.77	37



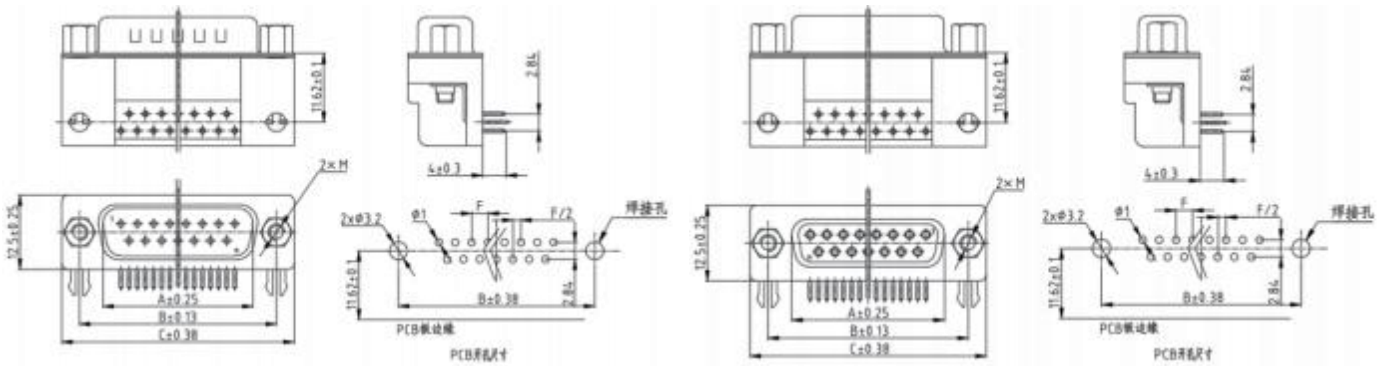
Model/Name	Order No.	A	B	C	F	M	Number of Contacts
Plug DE-9PLS-A	115060003201	16.94	24.99	30.81	2.74	M3	9
Plug DA-15PLS-A	115060003202	25.25	33.32	39.14	2.74	M3	15
Plug DB-25PLS-A	115060003203	38.96	47.04	53.04	2.77	M3	25
Plug DC-37PLS-A	115060003204	55.43	63.50	69.32	2.77	M3	37
DE-9PLS Plug	115060003205	16.94	24.99	30.81	2.74	4-40UNC	9
DA-15PLS Plug	115060003206	25.25	33.32	39.14	2.74	4-40UNC	15
DB-25PLS Plug	115060003207	38.96	47.04	53.04	2.77	4-40UNC	25
DC-37PLS Plug	115060003208	55.43	63.50	69.32	2.77	4-40UNC	37

Model/Name	Order No.	A	B	C	F	M	Number of Contacts
DE-9SLS-A Socket	115160002701	16.	24.99	30.81	2.	M3	9
DA-15SLS-A Socket	115160002702	9425.	33.32	39.14	742.	M3	15
DB-25SLS-A Socket	115160002703	2538.	47.04	53.04	742.	M3	25
DC-37SLS-A Socket	115160002704	9655.	63.50	69.32	772.	M3	37
DE-9SLS Socket	115160002705	4316.	24.99	30.81	772.	4-40UNC	9
DA-15SLS Socket	115160002706	9425.	33.32	39.14	742.	4-40UNC	15
DB-25SLS Socket	115160002707	2538.	47.04	53.04	742.	4-40UNC	25
DC-37SLS Socket	115160002708	9655.	63.50	69.32	772.	4-40UNC	37

Soldered Board Type



Size and Model Details



Model/Name	Order No.	A	B	C	F	M	Number of contacts
Plug DE-9PLS-3S-A	115060004701	16.94	24.99	30.81	2.74	4-40UNC	9
Plug DA-15PLS-3S-A	115060004702	25.25	33.32	39.14	2.74	4-40UNC	15
Plug DB-25PLS-3S-A	115060004703	38.96	47.04	53.04	2.77	4-40UNC	25
Plug DC-37PLS-3S-A	115060004704	55.43	63.50	69.32	2.77	4-40UNC	37
Plug DE-9PLS-3S	115060004705	16.94	24.99	30.81	2.74	4-40UNC	9
DA-15PLS-3S Plugs	115060004706	25.25	33.32	39.14	2.74	4-40UNC	15
DB-25PLS-3S Plugs	115060004707	38.96	47.04	53.04	2.77	4-40UNC	25
DC-37PLS-3S Plugs	115060004708	55.43	63.50	69.32	2.77	4-40UNC	37

Model/Name	Order No.	A	B	C	F	M	Number of Contacts
DE-9SLS-3S-A Socket	115160004701	16.94	24.99	30.81	2.74	4-40UNC	9
DA-15SLS-3S-A Socket	115160004702	25.25	33.32	39.14	2.74	4-40UNC	15
DB-25SLS-3S-A Socket	115160004703	38.96	47.04	53.04	2.77	4-40UNC	25
DC-37SLS-3S-A Socket	115160004704	55.43	63.50	69.32	2.77	4-40UNC	37
DE-9SLS-3S Socket	115160004705	16.94	24.99	30.81	2.74	4-40UNC	9
DA-15SLS-3S Socket	115160004706	25.25	33.32	39.14	2.74	4-40UNC	15
DB-25SLS-3S Socket	115160004707	38.96	47.04	53.04	2.77	4-40UNC	25
DC-37SLS-3S Socket	115160004708	55.43	63.50	69.32	2.77	4-40UNC	37

## D-sub Series Connectors - *Signal High Density Type*

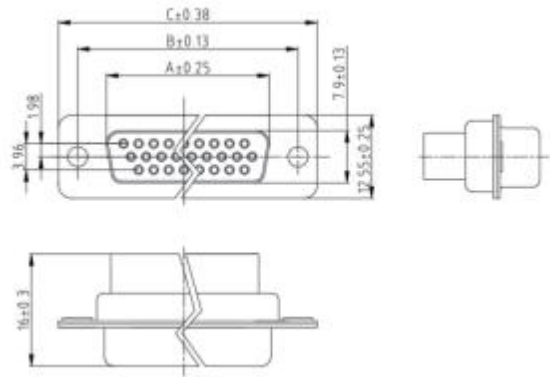
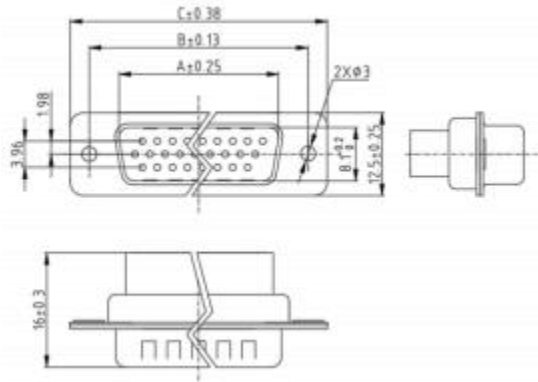


- D-sub series connectors
- The D series rectangular connector is an internationally recognized electrical connector.
- Good electrical performance, electromagnetic compatibility and environmental performance
  
- Signal high-density type
- Mainly used for power supply and Gigabit network signaling, rated voltage less than 250V, current range 1A~4A

Crimp Type

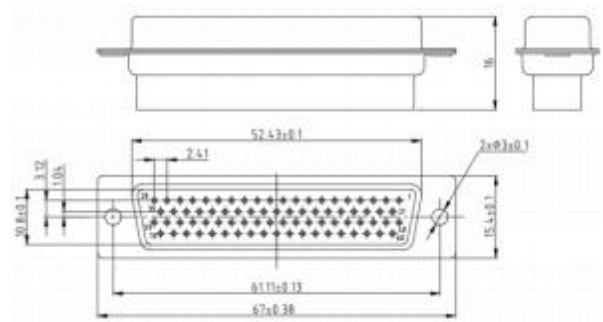
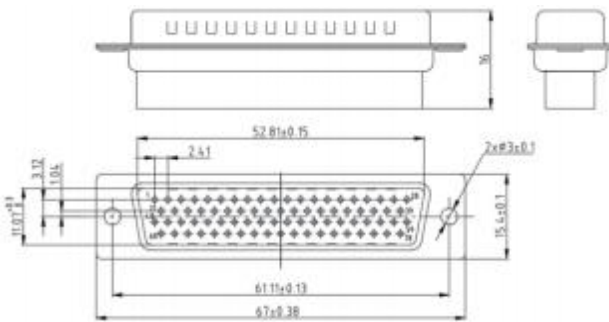


Size and Model Details



Model/Name	Order Number	A	B	C	Number of contacts	Contact Type
HDE-15PY Plug	115060004201	16.94	24.99	30.81	15	Pin-Crimp
HDA-26PY Plug	115060004202	25.25	33.32	39.14	26	Pin-Crimp
HDB-44PY	115060004203	38.96	47.04	53.04	44	Pin-Crimp

Model/Name	Order Number	A	B	C	Number of contacts	Contact Type
HDE-15SY Socket	115160003901	16.33	24.99	30.81	15	Jack-Crimp
HDA-26SY Socket	115160003902	24.66	33.32	39.14	26	Jack-Crimp
HDB-44SY socket	115160003903	38.38	47.04	53.04	44	Jack-Crimp
HDC-62SY Socket	115160003904	54.84	63.50	69.32	62	Jack-Crimp



Model/Name	Order Number	Number of Contacts	Contact Type
HDD-78PY Plug	112012000191	78	Pin-Crimp

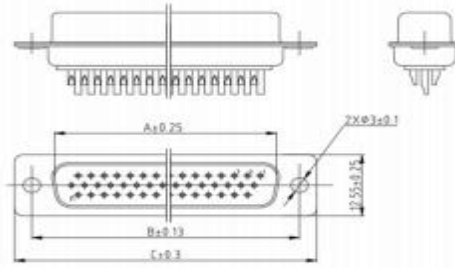
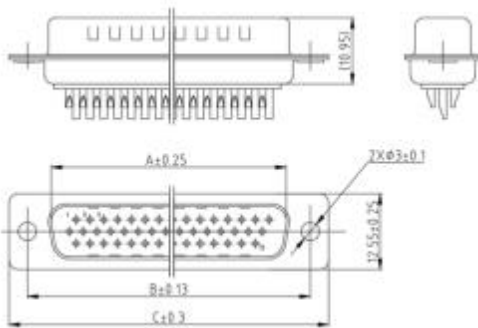
Model/Name	Order Number	Number of Contacts	Contact Type
HDD-78SY Socket	112022000376	78	Jack-Crimp

## D-sub Series Connectors - Signal Standard Type

### Soldered Wire Type

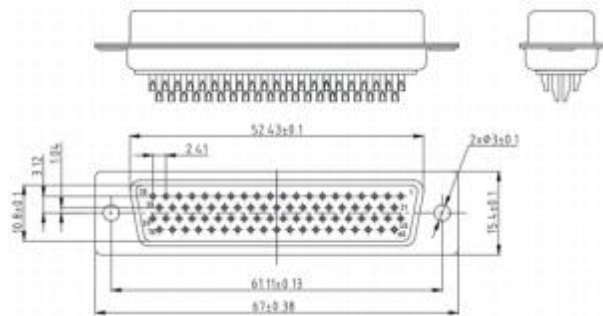
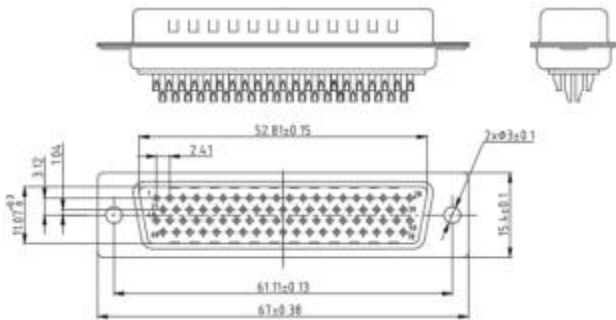


### Size and Model Details



Model/Name	Order No.	A	B	C	Number of contacts	Contact Type
HDE-15P Plug	115060004501	16.94	24.99	30.81	15	Pin-Soldered Wire
HDA-26P Plug	115060004502	25.25	33.32	39.14	26	Pin-Soldered Wire
HDB-44P Plug	115060004503	38.96	47.04	53.04	44	Pin-Soldered Wire

Model/Name	Order No.	A	B	C	Number of contacts	Contact Type
HDE-15S Socket	115160004101	16.33	24.99	30.81	9	Jack-Soldered Wires
HDA-26S Socket	115160004102	24.66	33.32	39.14	15	Jack-Soldered Wires
HDB-44S socket	115160004103	38.38	47.04	53.04	25	Jack-Soldered Wires
HDC-62S Socket	115160004104	54.84	63.50	69.32	37	Jack-Soldered Wires



Model/Name	Order Number	Number of Contacts	Contact Type
HDD-78P Plug	112012000190	78	Pin-Soldered Wire

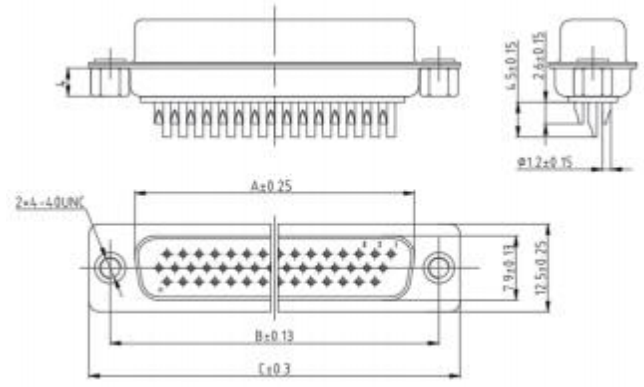
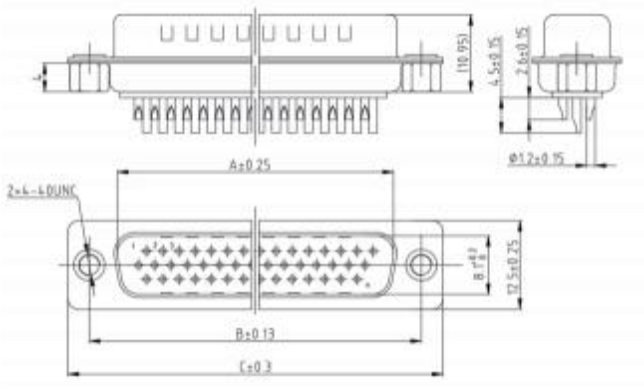
Model/Name	Order Number	Number of Contacts	Contact Type
HDD-78P Plug	112012000190	78	Pin-Soldered Wire

## D-sub Series Connectors - Signal High Density Type

### Soldered Wire Type



### Size and Model Details



Model/Name	Order Number	A	B	C	Number of contacts	Contact Type
HDE-15P-SIIF Plugs	115060015901	16.94	24.99	30.81	15	Pin-Soldered Wire
HDA-26P-SIIF Plugs	115060015902	25.25	33.32	39.14	26	Pin-Soldered Wire
HDB-44P-SIIF Plugs	115060015903	38.96	47.04	53.04	44	Pin-Soldered Wire
HDC-62P-SIIF Plugs	115060015904	55.43	63.50	69.32	62	Pin-Soldered Wire

Model/Name	Order Number	A	B	C	Number of contacts	Contact Type
HDE-15S-SIIF Socket	115160015301	16.33	24.99	30.81	15	Jack-Soldered Wires
HDA-26S-SIIF Socket	115160015302	24.66	33.32	39.14	26	Jack-Soldered Wires
HDB-44S-SIIF Socket	115160015303	38.38	47.04	53.04	44	Jack-Soldered Wires
HDC-62S-SIIF Socket	115160015304	54.84	63.50	69.32	62	Jack-Soldered Wires

Note: For other locking accessories or terminations, please contact a technician.

## D-sub Series Connectors - *High Current Type*



- D-sub series connectors
- The D series rectangular connector is an internationally recognized electrical connector.
- Good electrical performance, electromagnetic compatibility and environmental performance
  
- High current type
- Mainly used for power signal transmission, rated voltage less than 250V, current range covering 10A~40A

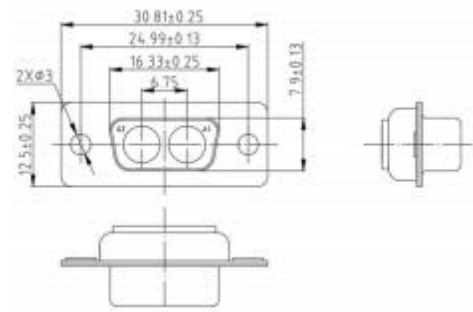
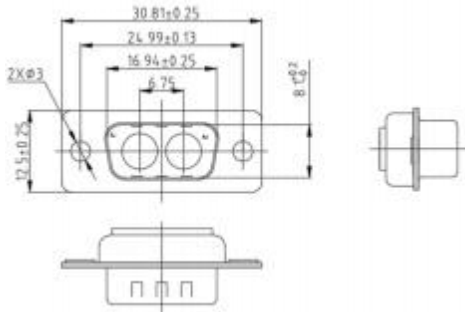


## D-sub Series Connectors - High Current Type

### Crimp Type

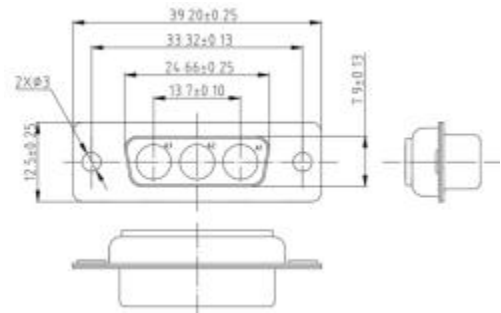
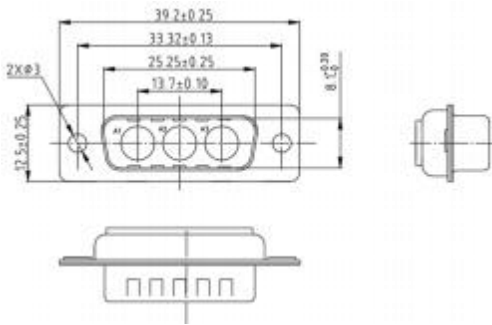


### Size and Model Details



Model/Name	Order Number	Number of Contacts	Contact Type
Plug DE-2P-0d	112012000075	2	Pins - crimp (purchased separately)

Model/Name	Order Number	Number of Contacts	Contact Type
DE-2S-0d Socket	112022000111	2	Jack-crimp type (purchased separately)



Model/Name	Order Number	Number of Contacts	Contact Type
Plug DA-3P-0d	112012000076	3	Pins - crimp (purchased separately)

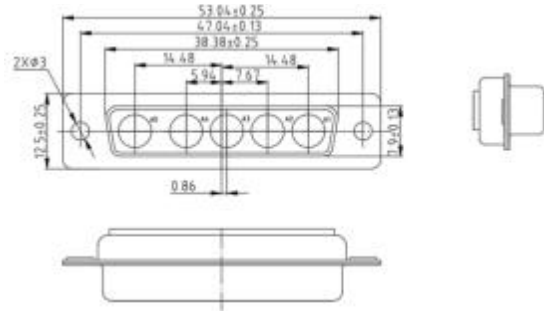
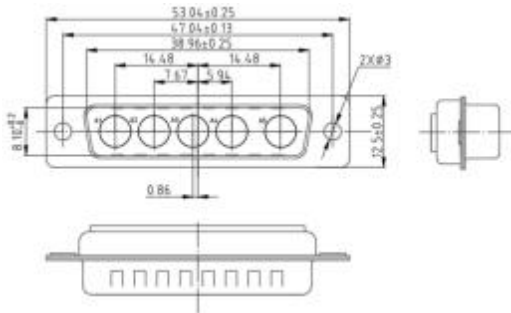
Model/Name	Order Number	Number of Contacts	Contact Type
DA-3S-0d Socket	112022000112	3	Jack-crimp type (purchased separately)

## D-sub Series Connectors - High Current Type

### Crimp Type

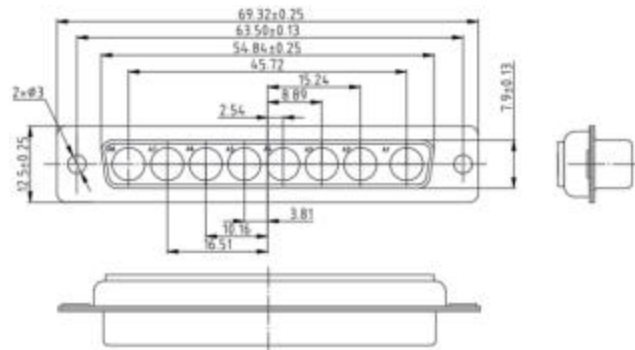
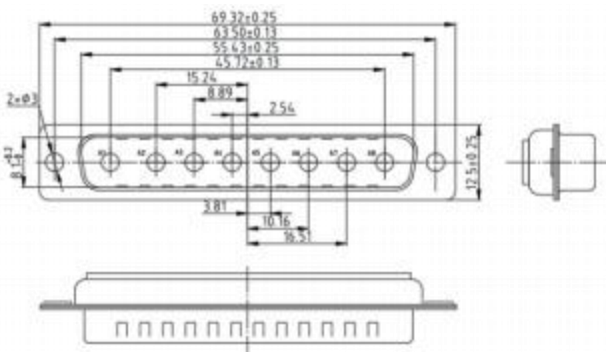


### Size and Model Details



Model/Name	Order Number	Number of Contacts	Contact Type
DB-5P-0d Plugs	112012000077	5	Pins - crimp (purchased separately)

Model/Name	Order Number	Number of Contacts	Contact Type
DB-5S-0d Socket	112022000113	5	Jack-crimp type (purchased separately)



Model/Name	Order Number	Number of Contacts	Contact Type
DC-8P-0d Plugs	112012000078	8	Pins - crimp type (purchased separately)

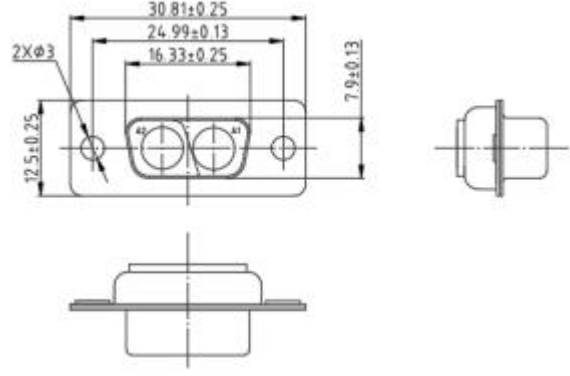
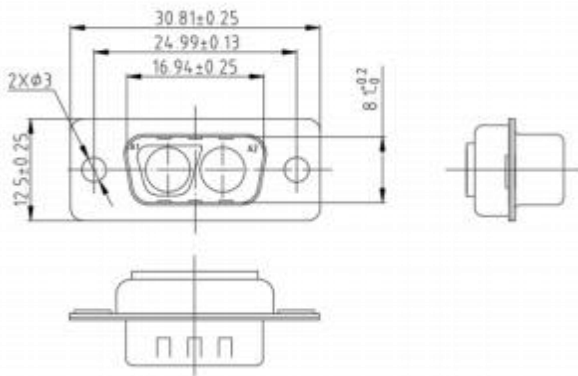
Model/Name	Order Number	Number of Contacts	Contact Type
DC-8S-0d Socket	112022000114	8	Pins - crimp (purchased separately)

## D-sub Series Connectors - High Current Type

### Crimp Type

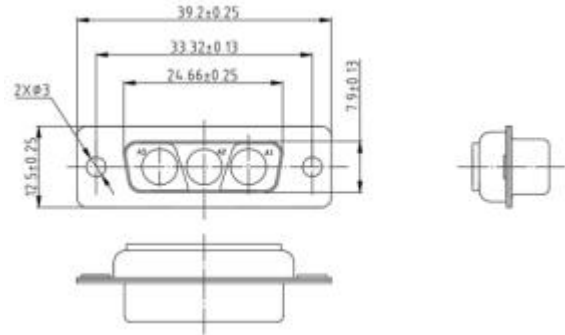
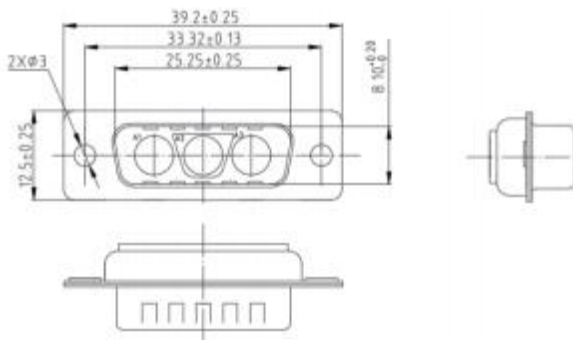


### Size and Model Details



Model/Name	Order Number	Number of Contacts	Contact Type
Plug DE-1P1S-0d	112012000073	2	1 jack 1 pin - crimp (purchased separately)

Model/Name	Order Number	Number of Contacts	Contact Type
DE-1S1P-0d Socket	112020100667	2	1 pin 1 jack - crimp type (purchased separately)



Model/Name	Order Number	Number of Contacts	Contact Type
Plug DA-2P1S-3d	112012000074	3	2 pins + 1 jack - crimp (separate purchase)

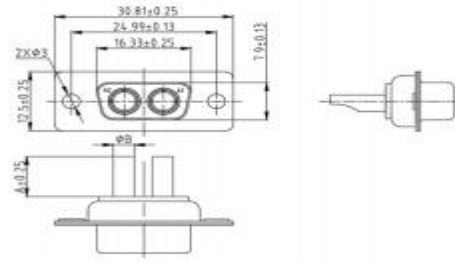
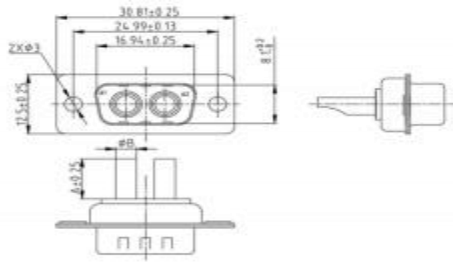
Model/Name	Order Number	Number of Contacts	Contact Type
DA-2S1P-0d Sockets	112022000110	3	1 pin + 2 jacks - crimp type (purchased separately)

# D-sub Series Connectors - High Current Type

## Soldered Wire Type

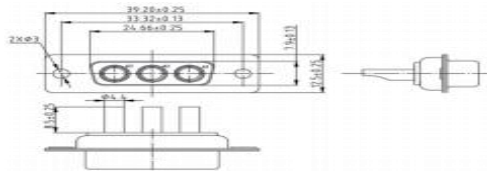
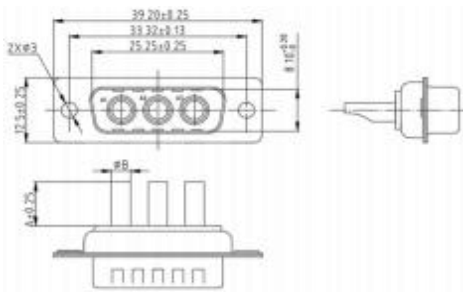


## Size and Model Details



Model/Name	Order No.	A	B	Number of contacts	Contact Type	Operating Current
DE-2P-2d Plugs	112012000105	8.5	4.4	2	Pin-Soldered Wire	30A
Plug DE-2P-2d-10	112012000103	8.5	2.5	2	Pin-Soldered Wire	10A
Plug DE-2P-2d-20	112012000104	8.5	3.7	2	Pin-Soldered Wire	20A
Plug DE-2P-2d-40	112012000106	9.5	5.5	2	Pin-Soldered Wire	40A
Plug DE-2P-2d-X	112012000089	4.5	4.4	2	Pin-Soldered Wire	30A
Plug DE-2P-2d-X-10	112012000088	4.5	2.5	2	Pin-Soldered Wire	20A
Plug DE-2P-2d-X-	112012000087	4.5	3.7	2	Pin-Soldered	20A

Model/Name	Order No.	A	B	Number of contacts	Contact Type	Operating Current
DE-2S-2d Socket	112022000170	8.5	4.4	2	Jack-Soldered Wires	30A
DE-2S-2d-10 Socket	112022000168	8.5	2.5	2	Jack-Soldered Wires	10A
DE-2S-2d-20 Socket	112022000169	8.5	3.7	2	Jack-Soldered Wires	20A
DE-2S-2d-40 Socket	112022000171	9.5	5.5	2	Jack-Soldered Wires	40A
DE-2S-2d-X Socket	112022000154	4.5	4.4	2	Jack-Soldered Wires	30A
DE-2S-2d-X-10 Socket	112022000152	4.5	2.5	2	Jack-Soldered Wires	20A
DE-2S-2d-X-20 Socket	112022000153	4.5	3.7	2	Jack-Soldered Wires	20A
DE-2S-2d-X-40 Socket	112022000155	4.5	5.5	2	Jack-Soldered Wires	40A



Model/Name B	Order No.	A	B	Number of contacts	Contact Type	Operating Current
DA-3P-3d Plugs	112012000109	8.5	4.4	3	Needle-Soldered Wire	30A
Plug DA-3P-3d-10	112012000107	8.5	2.5	3	Needle-Soldered Wire	10A
Plug DA-3P-3d-20	112012000108	8.5	3.7	3	Needle-Soldered Wire	20A
Plug DA-3P-3d-40	112012000110	9.5	5.5	3	Needle-Soldered Wire	40A
DA-3P-3d-X Plugs	112012000093	4.5	4.4	3	Needle-Soldered Wire	30A
Plug DA-3P-3d-X-10	112012000091	4.5	2.5	3	Needle-Soldered Wire	20A
Plug DA-3P-3d-X-20	112012000092	4.5	3.7	3	Needle-Soldered Wire	20A
Plug DA-3P-3d-X-40	112012000094	4.5	5.5	3	Needle-Soldered Wire	40A

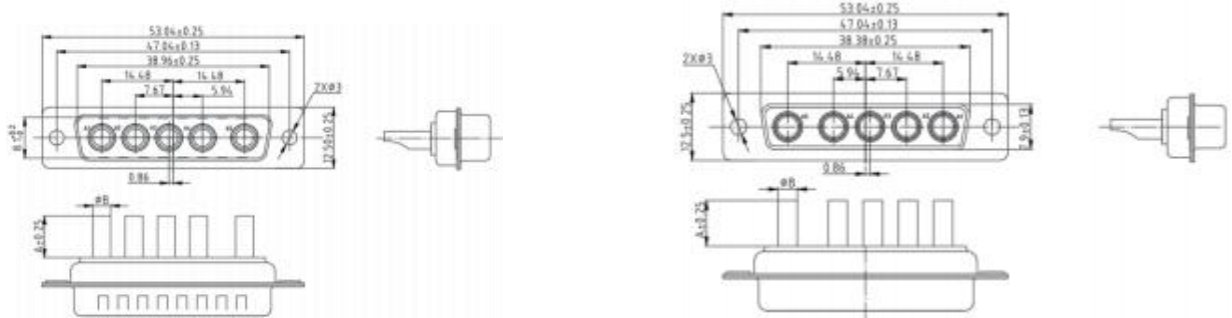
Model/Name	Order No.	A	B	Number of contacts	Contact Type	Operating Current
DA-3S-3d Socket	112022000174	8.5	4.4	3	Pin-Soldered Wire	30A
DA-3S-3d-10 Socket	112022000172	8.5	2.5	3	Pin-Soldered Wire	10A
DA-3S-3d-20 Socket	112022000173	8.5	3.7	3	Pin-Soldered Wire	20A
DA-3S-3d-40 Socket	112022000175	9.5	5.5	3	Pin-Soldered Wire	40A
DA-3S-3d-X Socket	112022000158	4.5	4.4	3	Pin-Soldered Wire	30A
DA-3S-3d-X-10 Socket	112022000156	4.5	2.5	3	Pin-Soldered Wire	20A
DA-3S-3d-X-20 Socket	112022000157	4.5	3.7	3	Pin-Soldered Wire	20A
DA-3S-3d-X-40 Socket	112022000158	4.5	5.5	3	Pin-Soldered Wire	40A

## D-sub Series Connectors - High Current Type

### Crimp Type

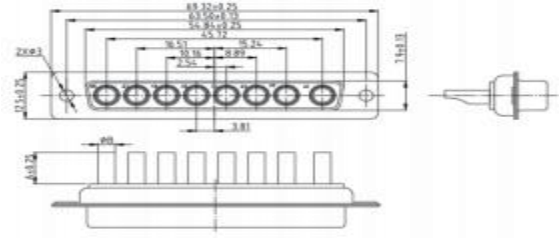
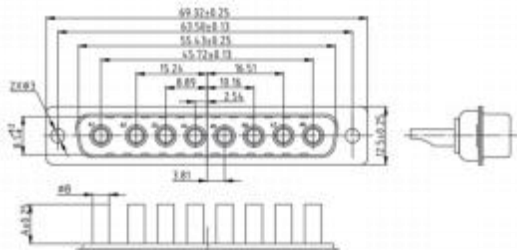


### Size and Model Details



Model/Name	Order No.	A	B	Number of Contacts	Contact Type	Operating Current
DB-5P-5d Plugs	112012000113	8.5	4.4	3	Pin-Soldered Wire	30A
DB-5P-5d-10 Plugs	112012000111	8.5	2.5	3	Pin-Soldered Wire	10A
DB-5P-5d-20 Plugs	112012000112	8.5	3.7	3	Pin-Soldered Wire	20A
Plug DB-5P-5d-40	112012000114	9.5	5.5	3	Pin-Soldered Wire	40A
DB-5P-5d-X Plugs	112012000097	4.5	4.4	3	Pin-Soldered Wire	30A
Plug DB-5P-5d-X-10	112012000095	4.5	2.5	3	Pin-Soldered Wire	20A
DB-5P-5d-X-20 Plugs	112012000096	4.5	3.7	3	Pin-Soldered Wire	20A
Plug DB-5P-5d-X-40	112012000098	4.5	5.5	3	Pin-Soldered Wire	40A

Model/Name	Order No.	A	B	Number of Contacts	Contact Type	Operating Current
DB-5S-5d Socket	112022000178	8.5	4.4	3	Pin-Soldered Wire	30A
DB-5S-5d-10 Socket	112022000176	8.5	2.5	3	Pin-Soldered Wire	10A
DB-5S-5d-20 Socket	112022000177	8.5	3.7	3	Pin-Soldered Wire	20A
DB-5S-5d-40 Socket	112022000179	9.5	5.5	3	Pin-Soldered Wire	40A
DB-5S-5d-X Socket	112022000162	4.5	4.4	3	Pin-Soldered Wire	30A
DB-5S-5d-X-10 Socket	112022000160	4.5	2.5	3	Pin-Soldered Wire	20A
DB-5S-5d-X-20 Socket	112022000161	4.5	3.7	3	Pin-Soldered Wire	20A
DB-5S-5d-X-40 Socket	112022000163	4.5	5.5	3	Pin-Soldered Wire	40A



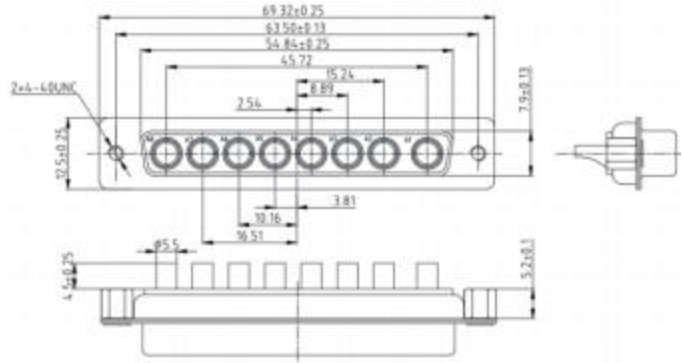
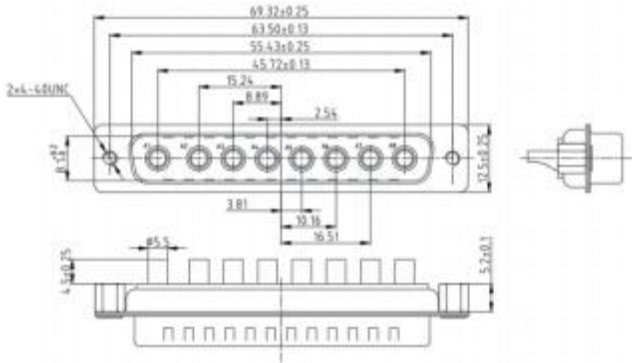
Model/Name	Order No.	A	B	Number of Contacts	Contact Type	Operating Current
DC-8P-8d Plugs	112012000117	8.5	4.4	3	Pin-Soldered Wire	30A
DC-8P-8d-10 Plugs	112012000116	8.5	2.5	3	Pin-Soldered Wire	10A
DC-8P-8d-20 Plugs	112012000112	8.5	3.7	3	Pin-Soldered Wire	20A
Plug DC-8P-8d-40	112012000114	9.5	5.5	3	Pin-Soldered Wire	40A
DC-8P-8d-X Plugs	112012000101	4.5	4.4	3	Pin-Soldered Wire	30A
DC-8P-8d-X-10 Plugs	112012000099	4.5	2.5	3	Pin-Soldered Wire	20A
DC-8P-8d-X-20 Plugs	112012000100	4.5	3.7	3	Pin-Soldered Wire	20A
Plug DC-8P-8d-X-40	112012000102	4.5	5.5	3	Pin-Soldered Wire	40A

Model/Name	Order No.	A	B	Number of Contacts	Contact Type	Operating Current
DC-8S-8d Socket	112022000182	8.5	4.4	3	Pin-Soldered Wire	30A
DC-8S-8d-10 Socket	112022000180	8.5	2.5	3	Pin-Soldered Wire	10A
DC-8S-8d-20 Socket	112022000181	8.5	3.7	3	Pin-Soldered Wire	20A
DC-8S-8d-40 Socket	112022000183	9.5	5.5	3	Pin-Soldered Wire	40A
DC-8S-8d-X Socket	112022000166	4.5	4.4	3	Pin-Soldered Wire	30A
DC-8S-8d-X-10 Socket	112022000164	4.5	2.5	3	Pin-Soldered Wire	20A
DC-8S-8d-X-20 Socket	112022000165	4.5	3.7	3	Pin-Soldered Wire	20A
DC-8S-8d-X-40 Socket	112022000167	4.5	5.5	3	Pin-Soldered Wire	40A

# D-sub Series Connectors - High Current Type

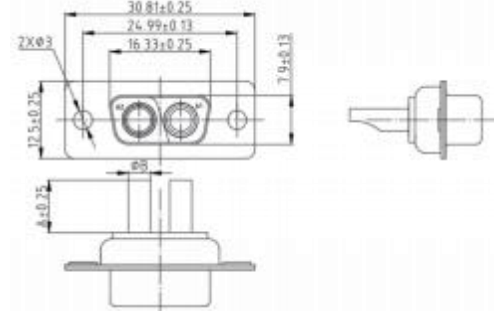
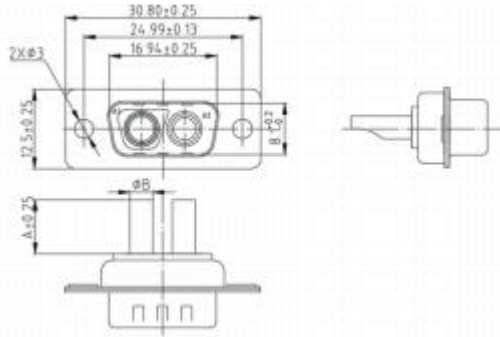
## Soldered Wire Type

### Size and Model Details



Model/Name	Order No.	Number of Contacts	Contact Type	Operating Current
DC-8P-8d-X-40-SIIF Plugs	112012001026	8	Pin-Soldered Wire	40A

Model/Name	Order No.	Number of Contacts	Contact Type	Operating Current
DC-8S-8d-X-40-SIIF Socket	112022001323	8	Jack-Soldered Wires	40A



Model/Name	Order No.	A	B	Number of contacts	Contact Type	Operating current
DE-1P1S-2d Plugs	112012000131	8.5	4.4	3	Pin-Soldered Wire	30A
Plug DE-1P1S-2d-10	112012000129	8.5	2.5	3	Pin-Soldered Wire	10A
Plug DE-1P1S-2d-20	112012000130	8.5	3.7	3	Pin-Soldered Wire	20A
Plug DE-1P1S-2d-40	112012000132	9.5	5.5	3	Pin-Soldered Wire	40A
Plug DE-1P1S-2d-X	112012000081	4.5	4.4	3	Pin-Soldered Wire	30A
Plug DE-1P1S-2d-X-10	112012000079	4.5	2.5	3	Pin-Soldered Wire	20A
Plug DE-1P1S-2d-X-20	112012000080	4.5	3.7	3	Pin-Soldered Wire	20A
Plug DE-1P1S-2d-X-40	112012000082	4.5	5.5	3	Pin-Soldered Wire	40A

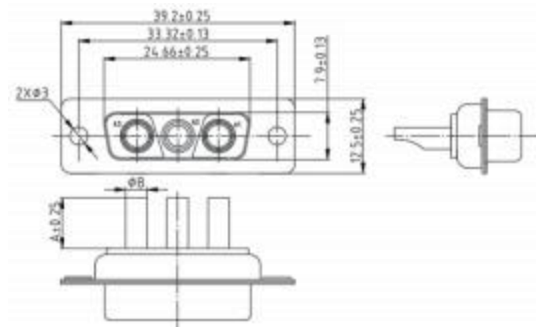
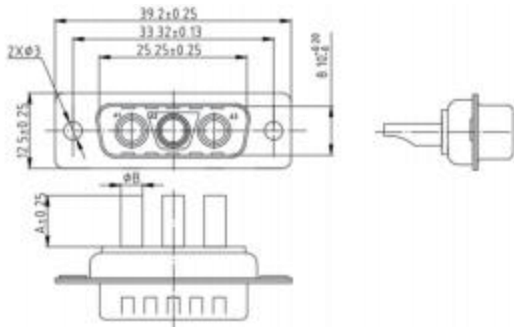
Model/Name	Order No.	A	B	Number of Contacts	Contact Type	Operating Current
DE-1S1P-2d Socket	112022000210	8.5	4.4	2	Pin+Hole-Wire	30A
DE-1S1P-2d-10 Socket	112022000208	8.5	2.5	2	Pin+Hole-Wire	10A
DE-1S1P-2d-20 Socket	112022000209	8.5	3.7	2	Pin+Hole-Wire	20A
DE-1S1P-2d-40 Socket	112022000211	9.5	5.5	2	Pin+Hole-Wire	40A
DE-1S1P-2d-X Socket	112022000127	4.5	4.4	2	Pin+Hole-Wire	30A
DE-1S1P-2d-X-10 Socket	112022000124	4.5	2.5	2	Pin+Hole-Wire	20A
DE-1S1P-2d-X-20 Socket	112022000125	4.5	3.7	2	Pin+Hole-Wire	20A
DE-1S1P-2d-X-40 Socket	112022000128	4.5	5.5	2	Pin+Hole-Wire	40A

## D-sub Series Connectors - High Current Type

### Soldered Wire Type



### Size and Model Details



Model/Name	Order No.	A	B	Number of contacts	Contact Type	Operating current
Plug DA-2PIS-3d	112012000135	8.5	4.4	3	2 Pins, 1 Hole-Soldered Wires	30A
Plug DA-2PIS-3d-10	112012000133	8.5	2.5	3	2 Pins, 1 Hole-Soldered Wires	10A
Plug DA-2PIS-3d-20	112012000134	8.5	3.7	3	2 Pins, 1 Hole-Soldered Wires	20A
Plug DA-2PIS-3d-40	112012000136	9.5	5.5	3	2 Pins, 1 Hole-Soldered Wires	40A
Plug DA-2PIS-3d-X	112012000085	4.5	4.4	3	2 Pins, 1 Hole-Soldered Wires	30A
Plug DA-2PIS-3d-X-10	112012000083	4.5	2.5	3	2 Pins, 1 Hole-Soldered Wires	20A

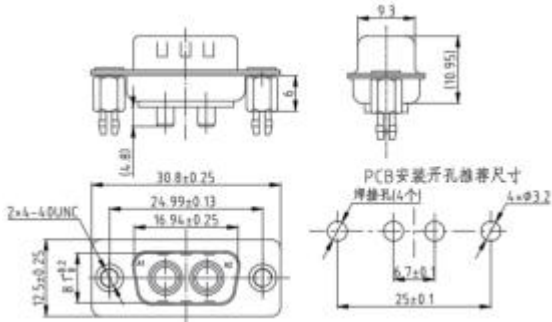
Model/Name	Order No.	A	B	Number of Contacts	Contact Type	Operating Current
DA-2S1P-3d Socket	112022000214	8.5	4.4	3	1 pin, 2 holes-soldered wire	30A
DA-2S1P-3d-10 Socket	112022000212	8.5	2.5	3	1 pin, 2 holes-soldered wire	10A
DA-2S1P-3d-20 Socket	112022000213	8.5	3.7	3	1 pin, 2 holes-soldered wire	20A
DA-2S1P-3d-40 Socket	112022000215	9.5	5.5	3	1 pin, 2 holes-soldered wire	40A
DA-2S1P-3d-X Socket	112022000131	4.5	4.4	3	1 pin, 2 holes-soldered wire	30A
DA-2S1P-3d-X-10 Socket	112022000129	4.5	2.5	3	1 pin, 2 holes-soldered wire	20A
DA-2S1P-3d-X-20 Socket	112022000130	4.5	3.7	3	1 pin, 2 holes-soldered wire	20A
DA-2S1P-3d-X-40 Socket	112022000132	4.5	5.5	3	1 pin, 2 holes-soldered wire	40A

# D-sub Series Connectors - High Current Type

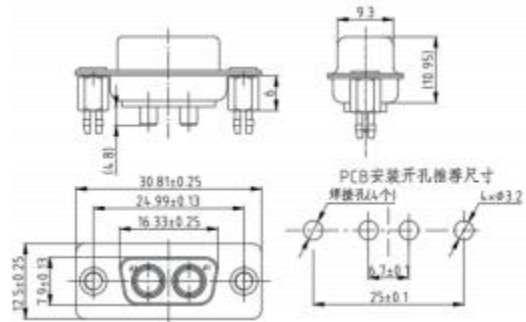
## Soldered Board Type



## Size and Model Details



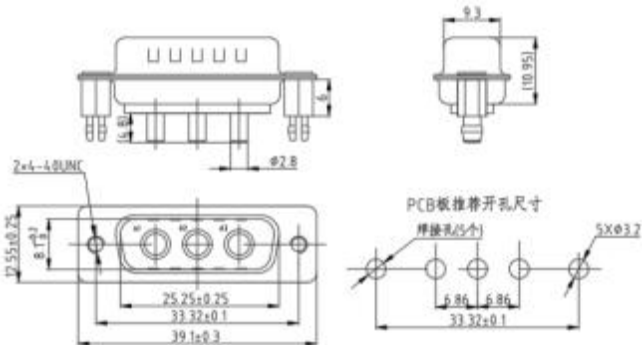
Note: This type of locknut is ordered separately, see Locking Accessories for model numbers.



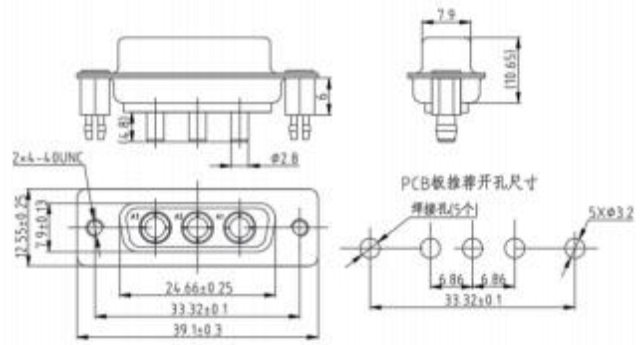
Note: This type of locknut is ordered separately, see Locking Accessories for model numbers.

Model/Name	Order No. numbers	Number of contacts	Contact Type
DE-2PZ-2dZS-III Plugs	112012000319	2	Pin-Soldered Board

Model/Name	Order No. numbers	Number of contacts	Contact Typ
DE-2SZ-2dZS-III Socket	112022000525	2	Jack-Soldered Board



Note: This type of locknut is ordered separately, see Locking Accessories for model numbers.



Note: This type of locknut is ordered separately, see Locking Accessories for model numbers.

Model/Name	Order Number	Number of Contacts	Contact Type
DA-3PZ-3dZS-III Plugs	112012000316	3	Pin-Soldered Board

Model/Name	Order Number	Number of Contacts	Contact Type
DA-3SZ-3dZS-III Socket	112012000315	3	Jack-Soldered Board

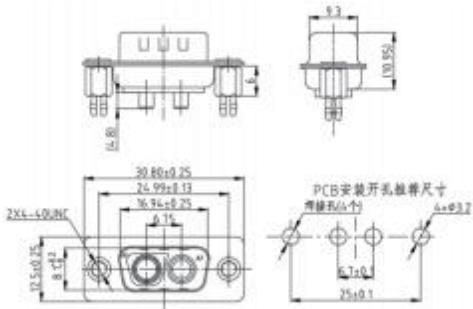


## D-sub Series Connectors - High Current Type

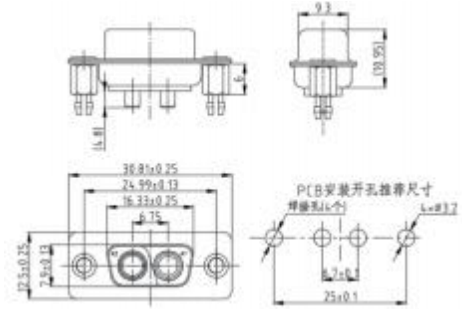
### Crimp Type



### Size and Model Details



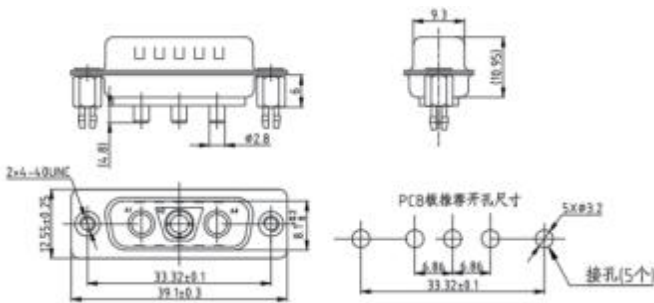
Note: This type of locknut is ordered separately, see Locking Accessories for model numbers.



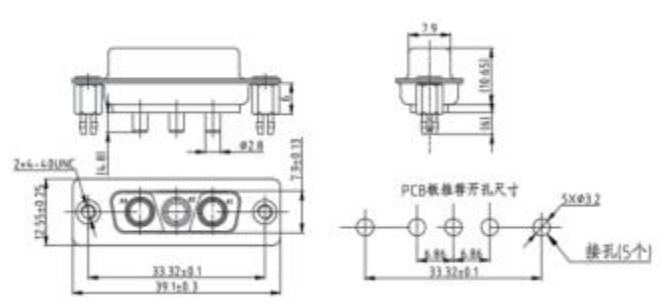
Note: This type of locknut is ordered separately, see Locking Accessories for model numbers.

Model/Name	Order Number	Number of Contacts	Contact Type
DE-1PZ1SZ-2dZS-III Plugs	112012000318	2	Pin+Hole-Soldered Board

Model/Name	Order Number	Number of Contacts	Contact Type
DE-1SZ1PZ-2dZS-III Socket	112022000524	2	Pin+Hole-Soldered Board



Note: This type of locknut is ordered separately, see Locking Accessories for model numbers.



Note: This type of locknut is ordered separately, see Locking Accessories for model numbers.

Model/Name	Order Number	Number of Contacts	Contact Type
DA-2PZ1SZ-3dZS-III Plugs	112012000317	3	2 Pins 1 Hole - Soldered Board

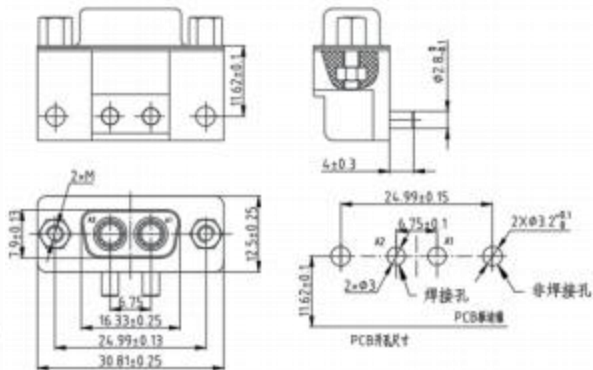
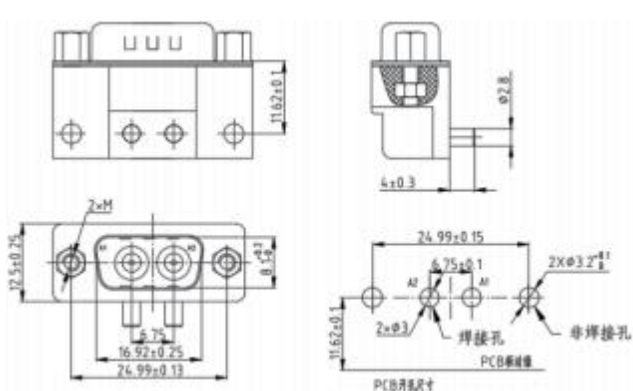
Model/Name	Order Number	Number of Contacts	Contact Type
DA-2SZ1PZ-3dZS-III Socket	112022000523	3	2 Holes, 1 Pin - Soldered Board

# D-sub Series Connectors - High Current Type

## Soldered Board Type

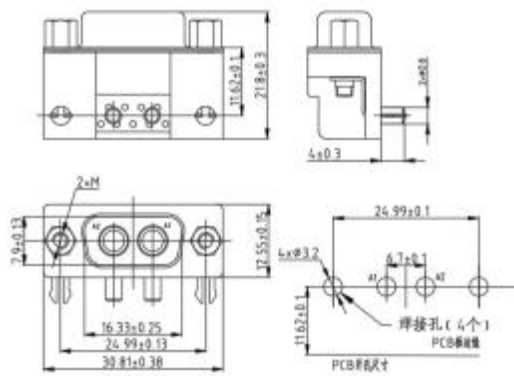
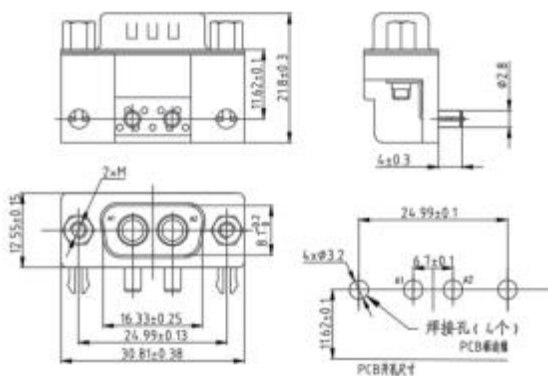


## Size and Model Details



Model/Name	Order Number	M	Number of contacts	Contact Type
DE-2PL-2dLS Plugs	112012000125	4-40UNC	2	Pin-Soldered Board
DE-2PL-2dLS-A Plug	112012000123	M3	2	Pin-Soldered Board

Model/Name	Order Number	M	Number of contacts	Contact Type
DE-2SL-2dLS Socket	112022000190	4-40UNC	2	Pin-Soldered Board
DE-2SL-2dLS-A Socket	112022000188	M3	2	Pin-Soldered Board



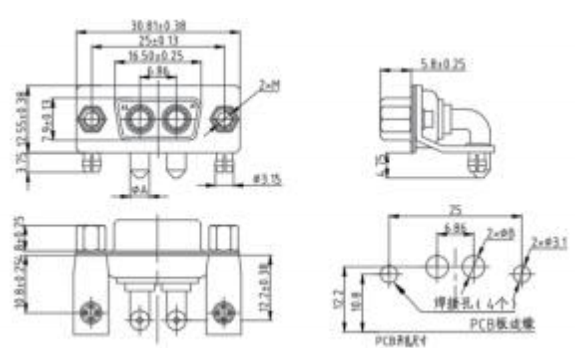
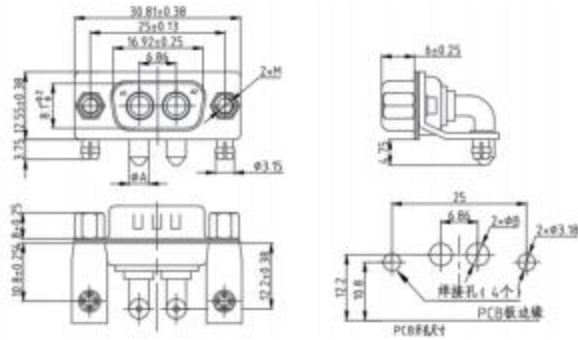
Model/Name	Order No.	M	Number of Contacts	Contact Type
DE-2PL-2dLS-3S Plugs	112012000170	4-40UNC	2	Pin-Soldered Board
DE-2PL-2dLS-3S-A Plugs	112012001038	M3	2	Pin-Soldered Board

Model/Name	Order No.	M	Number of Contacts	Contact Type
DE-2SL-2dLS-3S Socket	112022001332	4-40UNC	2	Pin-Soldered Board
DE-2SL-2dLS-3S-A Socket	112022001332	M3	2	Pin-Soldered Board

## Soldered Board Type

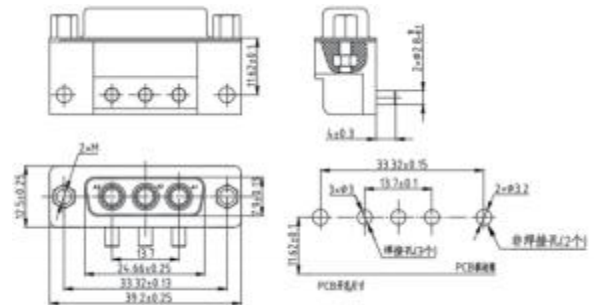
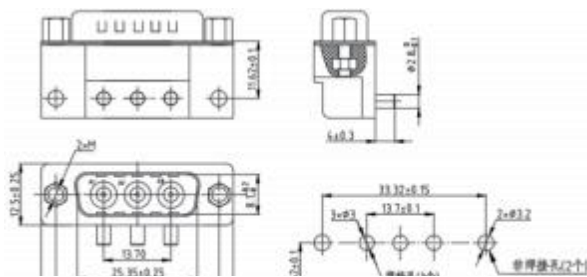


## Size and Model Details



Model/Name	Order No.	A	B	M	Number of contacts	Contact Type
DE-2PL-2dLS-40-T21 Plugs	115060016101	3.8	4.3	M3	2	Pin-Soldered Board
DE-2PL-2dLS-30-T21 Plugs	115060016102	3.2	3.7	M3	2	Pin-Soldered Board
DE-2PL-2dLS-20-T21 Plugs	115060016103	2.8	3.3	M3	2	Pin-Soldered Board
DE-2PL-2dLS-10-T21 Plugs	115060016104	1.7	2.2	M3	2	Pin-Soldered Board
DE-2PL-2dLS-40-T22 Plugs	115060016105	3.8	4.3	4-40UNC	2	Pin-Soldered Board
DE-2PL-2dLS-30-T22 Plugs	115060016106	3.2	3.7	4-40UNC	2	Pin-Soldered Board
DE-2PL-2dLS-20-T22 Plugs	115060016107	2.8	3.3	4-40UNC	2	Pin-Soldered Board
DE-2PL-2dLS-10-T22 Plugs	115060016108	1.7	2.2	4-40UNC	2	Pin-Soldered Board

Model/Name	Order No.	A	B	M	Number of contacts	Contact Type
DE-2SL-2dLS-40-T21 Socket	115160014401	3.8	4.3	M3	2	Jack-Soldered Board
DE-2SL-2dLS-30-T21 Socket	115060016102	3.2	3.7	M3	2	Jack-Soldered Board
DE-2SL-2dLS-20-T21 Socket	115060016103	2.8	3.3	M3	2	Jack-Soldered Board
DE-2SL-2dLS-10-T21 Socket	115060016104	1.7	2.2	M3	2	Jack-Soldered Board
DE-2SL-2dLS-40-T22 Socket	115060016105	3.8	4.3	4-40UNC	2	Jack-Soldered Board
DE-2SL-2dLS-30-T22 Socket	115060016106	3.2	3.7	4-40UNC	2	Jack-Soldered Board
DE-2SL-2dLS-20-T22 Socket	115060016107	2.8	3.3	4-40UNC	2	Jack-Soldered Board
DE-2SL-2dLS-10-T22 Socket	115060016108	1.7	2.2	4-40UNC	2	Jack-Soldered Board



Model/Name	Order No.	M	Number of Contacts	Contact Type
DA-3PL-3dLS Plugs	112012000126	4-40UNC	3	Pin-Soldered Board
Plug DA-3PL-3dLS-A	112012000124	M3	3	Pin-Soldered Board

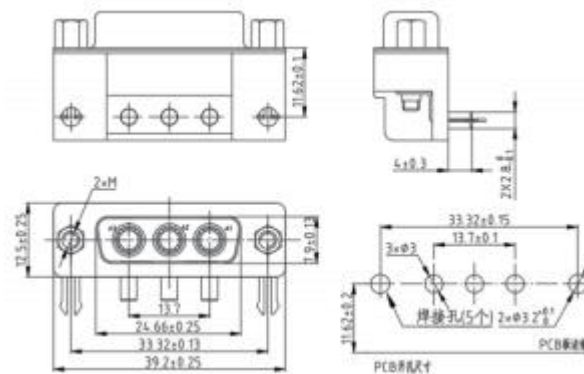
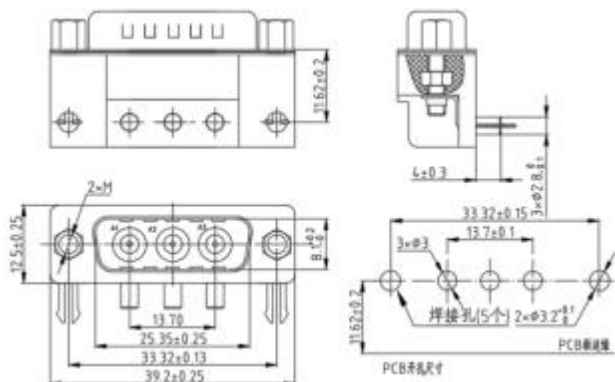
Model/Name	Order No.	M	Number of Contacts	Contact Type
DA-3SL-3dLS Socket	112022000191	4-40UNC	3	Jack-Soldered Board
DA-3SL-3dLS-A Socket	112022000189	M3	3	Jack-Soldered Board

# D-sub Series Connectors - High Current Type

## Soldered Board Type

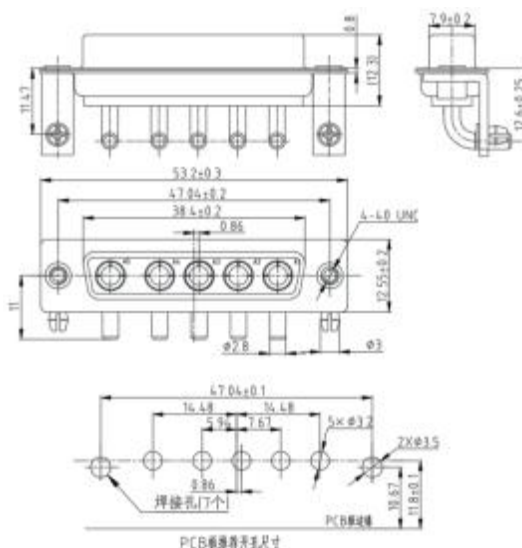
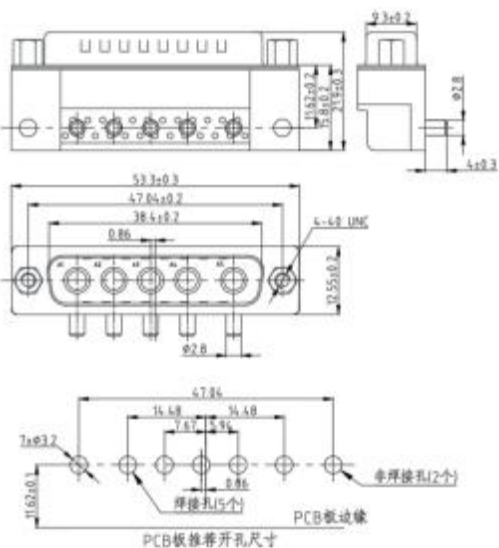


### Size and Model Details



Model/Name	Order Number	M	Number of contacts	Contact Type
DA-3PL-3dLS-3S Plugs	112012000947	4-40UNC	3	Pin-Soldered Board
DA-3PL-3dLS-3S-A Plugs		M3	3	Pin-Soldered Board

Model/Name	Order Number	M	Number of contacts	Contact Type
DA-3SL-3dLS-3S Socket		4-40UNC	2	Pin-Soldered Board
DA-3SL-3dLS-3S-A Socket	112022001212	M3	2	Pin-Soldered Board



Note: This type of locknut is ordered separately, see Locking Accessories for model numbers.

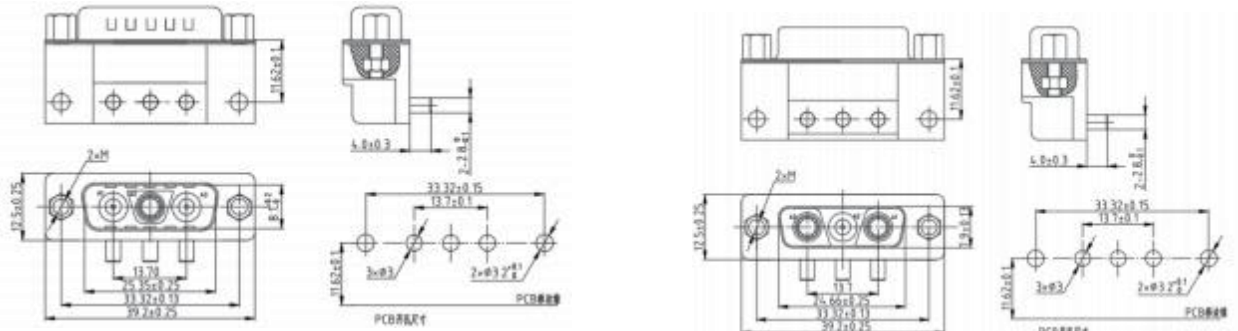
Model/Name	Order Number	Number of Contacts	Contact Type
DB-5PL-5dLS Plugs	111000100335	5	Pin-Soldered Board

Model/Name	Order Number	Number of Contacts	Contact Type
DB-5SL-5dSL-T24 Curved Socket	112029800094	3	Pin-Soldered Board

Soldered Board Type

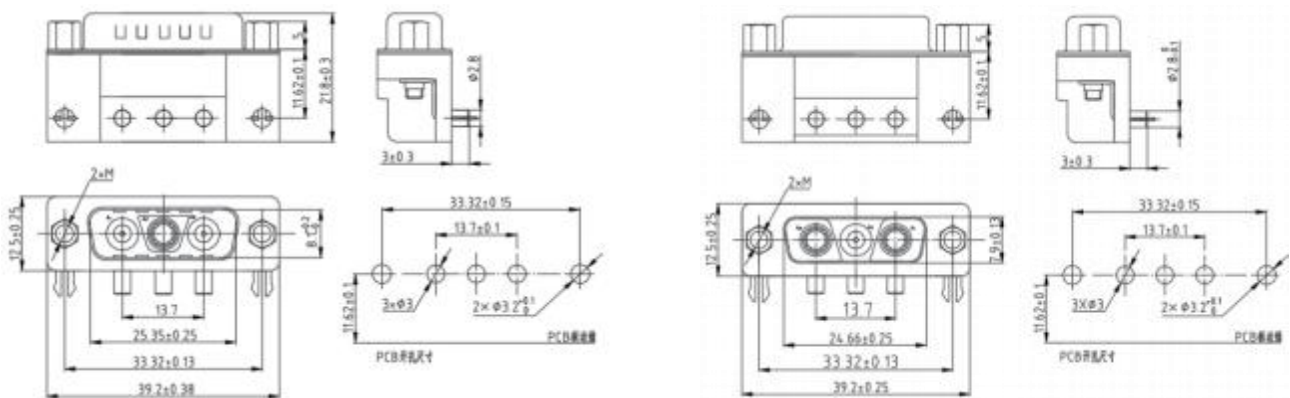


Size and Model Details



Model/Name	Order No.	M	Number of Contacts	Contact Type
Plug DA-2PL1SL-3dLS	112012000122	4-40UNC	3	2 pins + 1 hole
Plug DA-2PL1SL-3dLS-A	112012000121	M3	3	2 pins + 1 hole

Model/Name	Order No.	M	Number of Contacts	Contact Type
DA-2SL1PL-3dLS Socket	112022000187	4-40UNC	3	2 holes + 1 soldered wire
DA-2SL1PL-3dLS-A Socket	112022000186	M3	3	2 holes + 1 soldered wire



Model/Name	Order No.	M	Number of Contacts	Contact Type
Plug DA-2PL1SL-3dLS-3S1	112012000688	4-40UNC	3	2 pins + 1 hole
DA-2PL1SL-3dLS-3S1A Plugs	112012000690	M3	3	2 pins + 1 hole

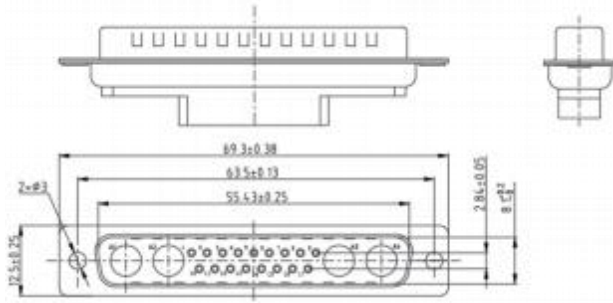
Model/Name	Order No.	M	Number of Contacts	Contact Type
DA-2SL1PL-3dLS-3S1 Socket	112022000965	4-40UNC	3	2 holes + 1 soldered wire
DA-2SL1PL-3dLS-3S1A Socket	112022000964	M3	3	2 holes + 1 soldered wire

# D-sub Series *Connectors-Mixed Type*

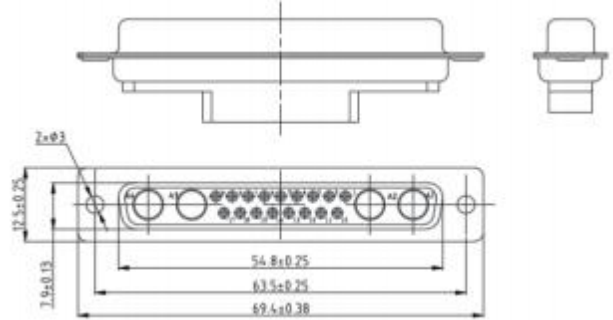
- D-sub series connectors
- The D series rectangular connector is an internationally recognized electrical connector.
- Good electrical performance, electromagnetic compatibility and environmental performance
  
- Mixed type
- Mainly used for power supply and Gigabit network signaling, rated voltage less than 250V, current range from 1A to 30A

Crimp Type (Power + Signal Pins)

Size and Model Details



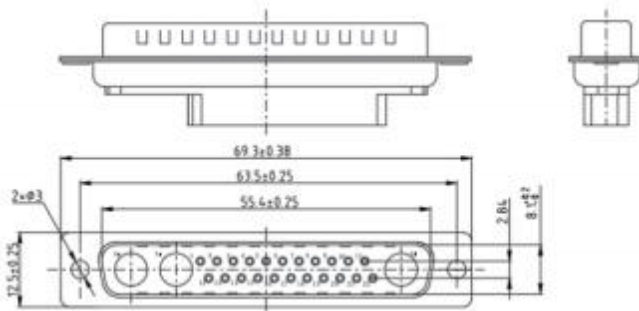
Note: Signal pin - crimp type (purchased separately), power pin - crimp type (purchased separately)



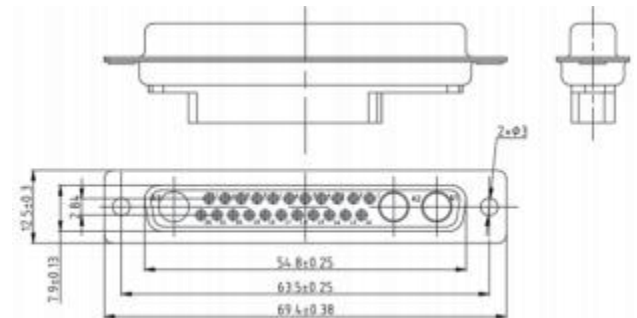
Note: Signal holes - crimp type (sourced separately), power holes - crimp (sourced separately)

Model/Name	Order Number	Number of Contacts	Contact Type
DC-21P-0dY Plug	112012000928	21	17 signal pins + 4 power pins

Model/Name	Order Number	Number of Contacts	Contact Type
DC-21S-0dY Socket	112022001234	21	17 signal holes + 4 power jack



Note: Signal pin - crimp type (purchased separately), power pin - crimp type (purchased separately)



Note: Signal pin - crimp type (purchased separately), power pin - crimp type (purchased separately)

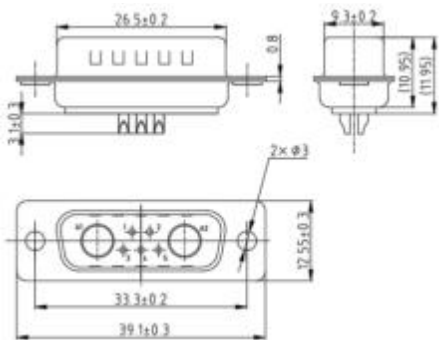
Model/Name	Order Number	Number of Contacts	Contact Type
DC-25P-0dY Plug	112012000929	25	22 signal pins + 3 power pins
YDC-25P-0dY Plug	112012000931	25	22 signal pins + 3 power pins

Model/Name	Order Number	Number of Contacts	Contact Type
DC-25S-0dY Socket	112022001235	25	22 signal holes + 3 power jack
YDC-25S-0dY Socket	112022001237	25	22 signal holes + 3 power jack

## D-sub Series Connectors-Mixed Type

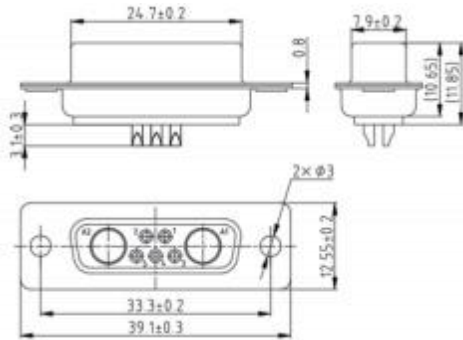
### Crimp Type (Power) / Soldered Wire (Signal Pin)

#### Size and Model Details



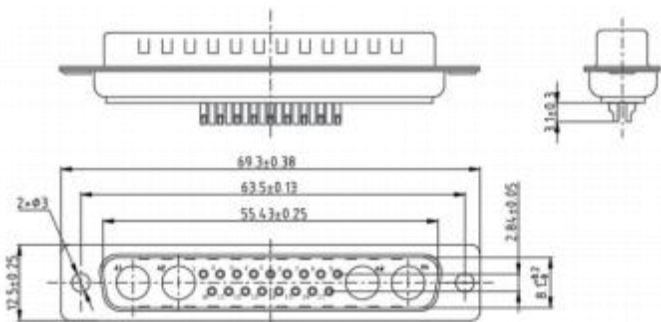
Note: Signal pin - soldered wire, power pin – crimped (purchased separately)

Model/Name	Order Number	Number of Contacts	Contact Type
Plug DA-7P-0d	112012000736	7	5 signal pins + 2 power pins



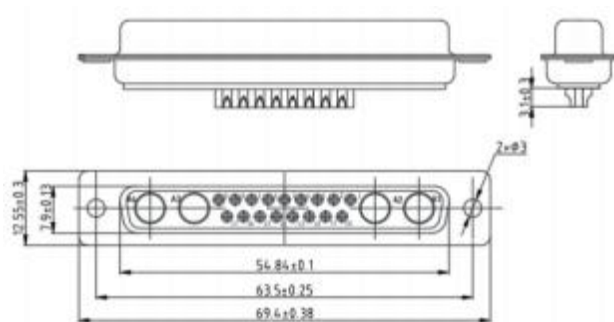
Note: Signal jack - soldered wires, power jack - crimped (purchased separately)

Model/Name	Order Number	Number of Contacts	Contact Type
DA-7S-0d Socket	112022001026	7	5 signal holes + 2 power jack



Note: Signal pin - soldered wire, power pin - crimped(purchased separately)

Model/Name	Order Number	Number of Contacts	Contact Type
DC-21P-4dY Plug	112012000779	21	17 signal pins + 4 power pins



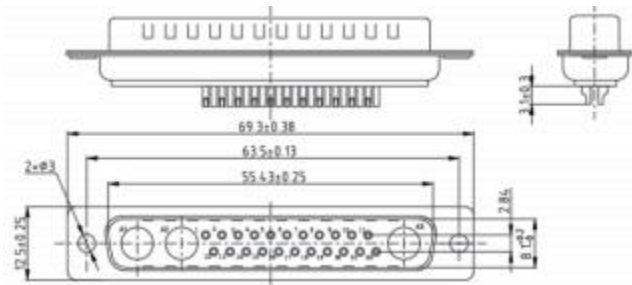
Note: Signal jack - soldered wires, power jack - crimped (purchased separately)

Model/Name	Order Number	Number of Contacts	Contact Type
DC-21S-4dY Socket	112022001065	21	17 signal holes + 4 power jack

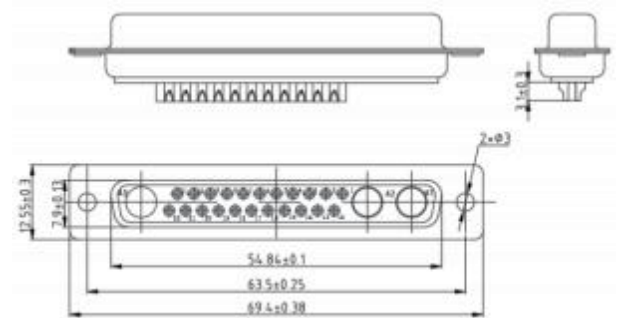


Crimp Type (Power) / Soldered Wire (Signal Pin)

Size and Model Details



Note: Signal pin - soldered wire, power pin - crimped (purchased separately)



Note: Signal jack - soldered wires, power jack - crimped (purchased separately)

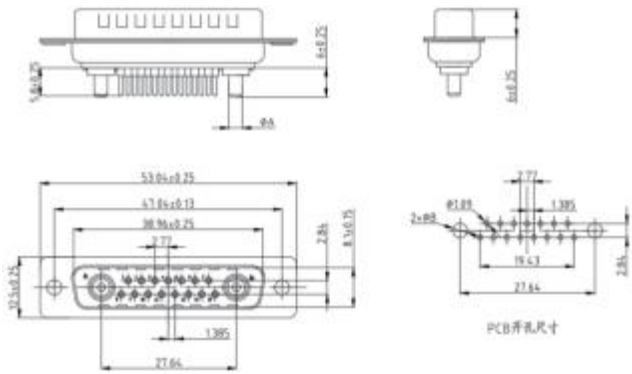
Model/Name	Order Number	Number of Contacts	Contact Type
DC-25P-3dY Plugs	112022000411	25	22 signal pins + 3 power pins

Model/Name	Order Number	Number of Contacts	Contact Type
DC-25S-3dY Socket	112022000411	25	22 signal holes + 3 power jack

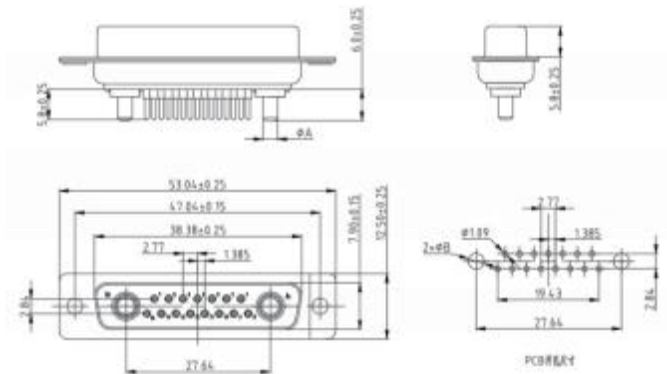
# D-sub Series Connectors-Mixed Type

## Soldered Board Type

### Size and Model Details



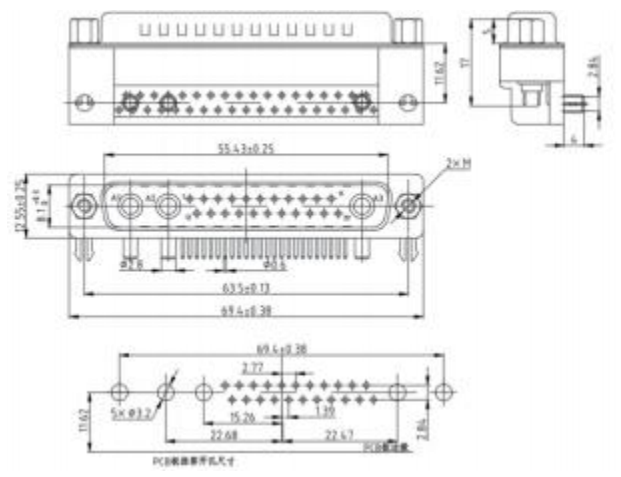
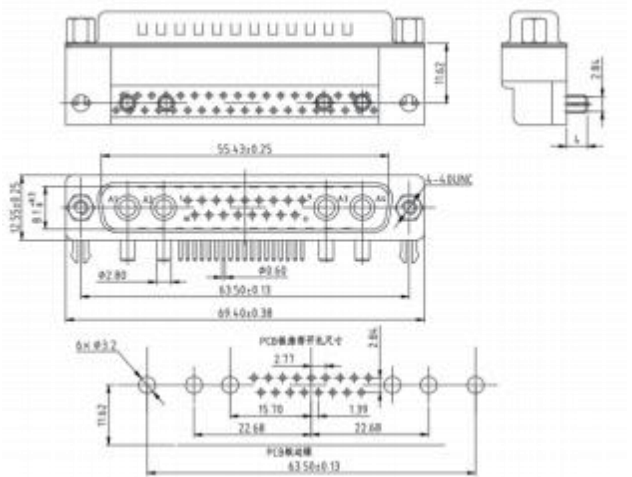
Note: 15 signal pins (operating current 5A) + 2 power pins



Note: 15 signal pins (operating current 5A) + 2 power pins

Model/Name	Order No.	A	B	Number of Contacts	Contact Type	Operating Current
Plug DB-17PZ-2dZ-10	115060015201	1.7	2.0	17	Pin-Soldered Board	10A
DB-17PZ-2dZ-20 Plugs	115060015202	2.7	3.0	17	Pin-Soldered Board	20A
Plug DB-17PZ-2dZ-30	115060015203	3.3	3.6	17	Pin-Soldered Board	30A
Plug DB-17PZ-2dZ-40	115060015204	3.8	4.1	17	Pin-Soldered Board	40A

Model/Name	Order No.	A	B	Number of Contacts	Contact Type	Operating Current
DB-17SZ-2dZ-10 Socket	115160014801	1.7	2.0	17	Pin-Soldered Board	10A
DB-17SZ-2dZ-20 Socket	115160014802	2.7	3.0	17	Pin-Soldered Board	20A
DB-17SZ-2dZ-30 Socket	115160014803	3.3	3.6	17	Pin-Soldered Board	30A
DB-17SZ-2dZ-40 Socket	115160014804	3.8	4.1	17	Pin-Soldered Board	40A

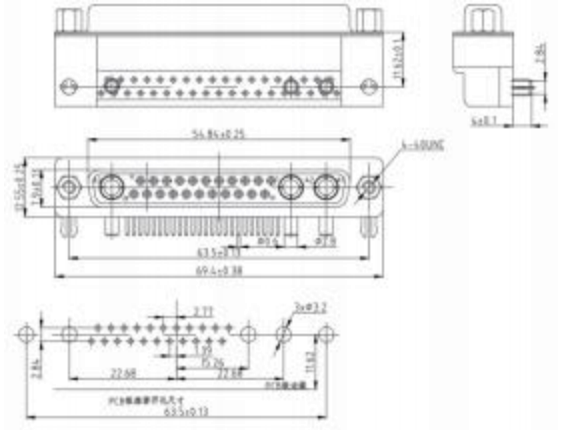
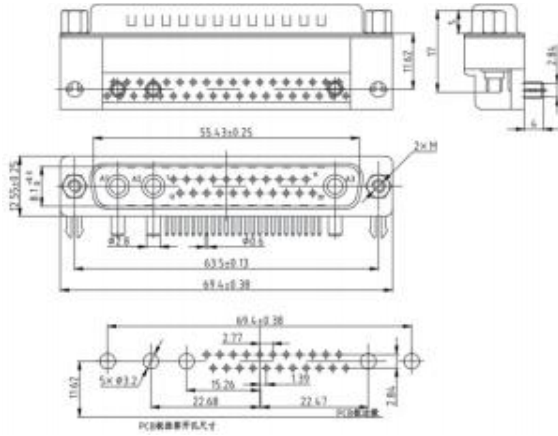


Model/Name	Order Number	Number of Contacts	Contact Type
DC-21PLS-4dLS-3S Plugs	112012000780	21	17 signal pins + 4 power pins

Model/Name	Order Number	Number of Contacts	Contact Type
DC-21PLS-4dLS-3S Plugs	112012000780	25	22 signal pins + 3 power pins

Soldered Board Type

Size and Model Details



Model/Name	Order Number	Number of Contacts	Contact Type
DC-25SLS-3dLS-3S Socket	112022000412	25	22 signal holes + 3 power jack

# D-sub Series Connectors - *High Pressure Resistant Type*

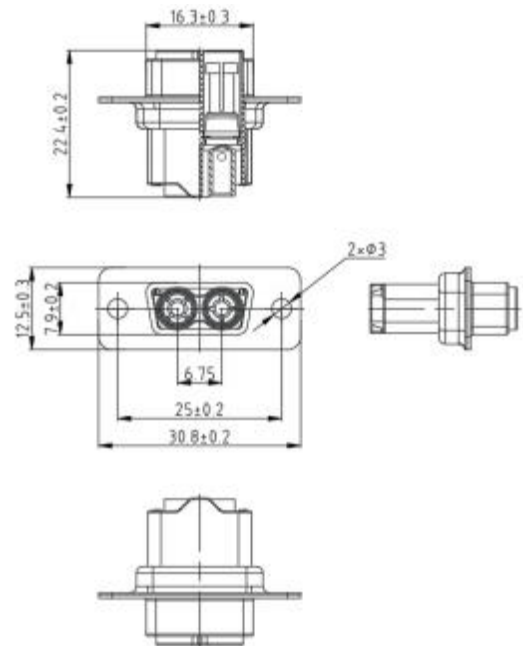
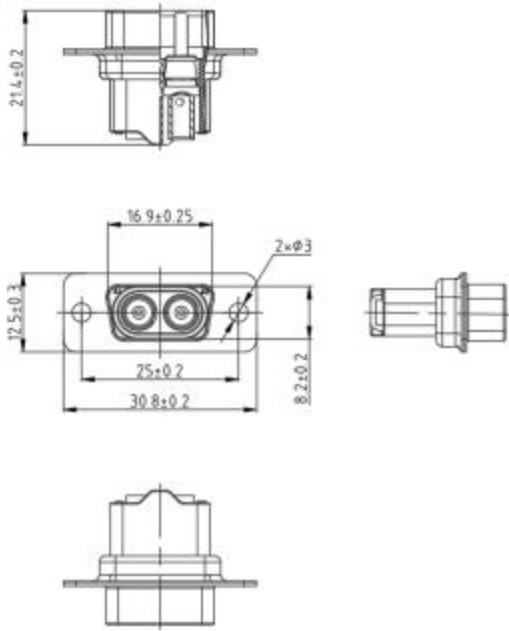


- D-sub series connectors
- The D series rectangular connector is an internationally recognized electrical connector.
- Good electrical performance, electromagnetic compatibility and environmental performance
  
- High-pressure resistant type
- Mainly used for power signal transmission, rated voltage less than 250V, current range 1A~20A

Crimp Type



Size and Model Details



Model/Name	Order Number	Number of Contacts	Contact Type
YGC-GDE-2P-0d Plugs	112012001140	2	Pins (purchased separately)
T20WC020-T40G Pin Assembly	113020101293	Adapted cable 2.5mm <sup>2</sup> -4mm <sup>2</sup> (purchased separately)	
T20WC020-T15G Pin Assembly	113020101295	Adapted cable 1mm <sup>2</sup> -1.5mm <sup>2</sup> (purchased separately)	

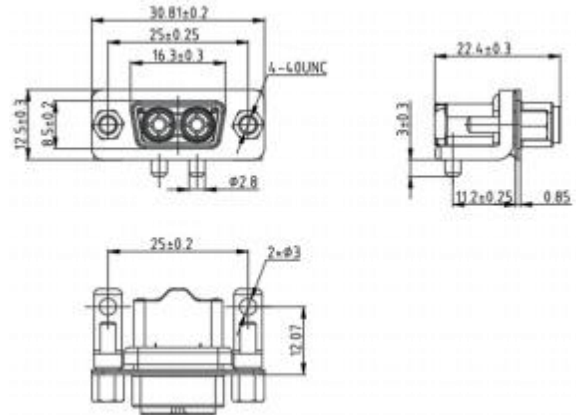
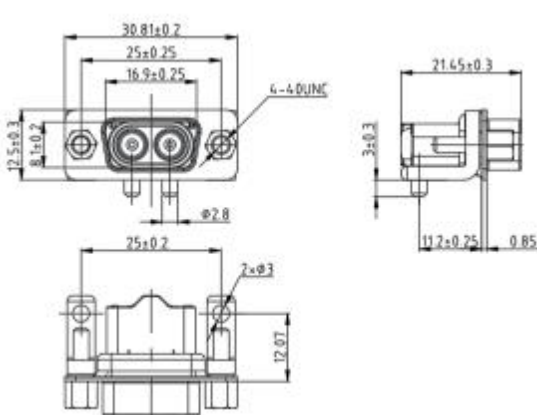
Model/Name	Order Number	Number of Contacts	Contact Type
YGC-GDE-2S-0d Socket	112022001419	2	Jacks (purchased separately)
T20WC020-T40G Jack Assembly	113020601847	Adapted cable 2.5mm <sup>2</sup> -4mm <sup>2</sup> (purchased separately)	
T20WC020-T15G Jack Assembly	113020601848	Adapted cable 1mm <sup>2</sup> -1.5mm <sup>2</sup> (purchased separately)	

## D-sub Series Connectors - High Pressure Resistant Type

### Soldered Board Type

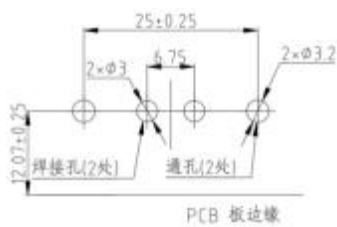


### Size and Model Details

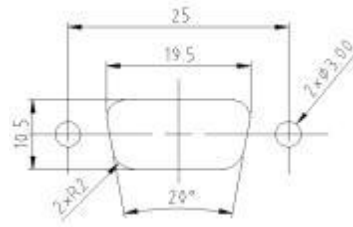


Model/Name	Order Number	Number of Contacts	Contact Type
YGC-GDE-2PL-2dLS Plugs	112010106103	2	Pins

Model/Name	Order Number	Number of Contacts	Contact Type
YGC-GDE-2SL-2dLS Socket	112022001617	7	Jacks

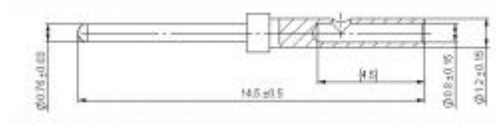


Recommended Printed Circuit Board Cutout Dimensions

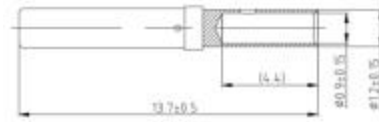


Recommended panel opening size (thickness ≤1.5mm)

Φ0.76 Contact Pair (Purchased Separately)



For D-Series-Signal-High Density Connectors (Male)

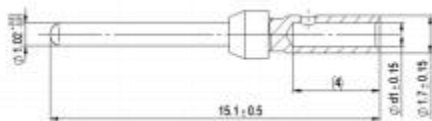


For D-Series-Signal-High Density Connectors (Female)

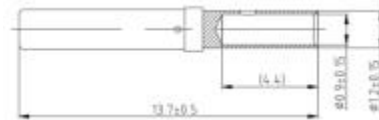
Category	Order No.	Adapted Wire mm <sup>2</sup>	Removal Tool	Crimping Tool
pin	114020500689	0.35	Non-removable	M22520/2-01

Category	Order No.	Adapted Wire mm <sup>2</sup>	Removal Tool	Crimping Tool
jack	114021000597	0.35	Non-removable	M22520/2-01

Φ1 Contact Pair (Purchased Separately)



Suitable for use with Signal-Standard D-Series Connectors (Male)



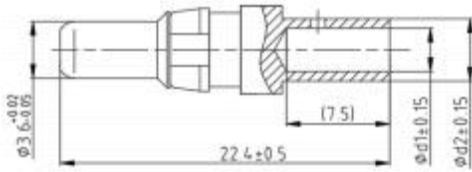
Suitable for Signal - Standard D-Series Connectors (Female)

Category	Order No.	Adapted Wire mm <sup>2</sup>	Φd1	Removal Tool	Crimping Tool
Pin	114020500411	-0.35	0.9	RT-2B	M22520/1-01
Pin	114020500408	0.35-.05	1.1	RT-2B	M22520/1-01
Pin	114020500409	0.5-0.75	1.38	RT-2B	M22520/1-01

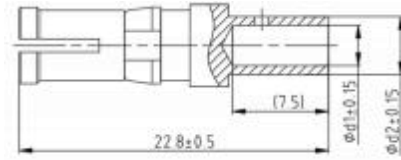
Category	Order No.	Adapted Wire mm <sup>2</sup>	ΦA	Removal Tool	Crimping Tool
Jack	114021000330	-0.35	0.9	RT-2B	M22520/1-01
Jack	114021000328	0.35-.05	1.1	RT-2B	M22520/1-01
Jack	114021000329	0.5-0.75	1.38	RT-2B	M22520/1-01

## D-sub Series Connectors-Contacts Specifications

### Φ3.6 Contact Pair



For D-Series - Power Connectors (Male)

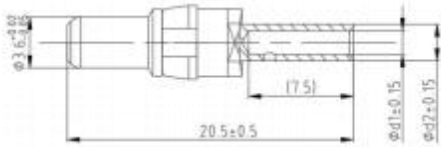


For D-Series-Signal-High Density Connectors (Female)

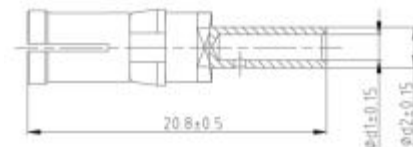
Category	Order No.	Φd1	Φd2	Adapted Wire mm <sup>2</sup>	Operating Current	Removal Tool	Crimping Tool
Pin	113020100334	2.6	2.6	16-20	10A	Non-removable	YJQ-M309
Pin	114020501901	3.6	3.6	12-14	20A	Non-removable	YJQ-M300
Pin	113020100964	4.8	4.8	10-12	30A	Non-removable	YJQ-M300

Category	Order No.	Φd1	Φd2	Adapted Wire mm <sup>2</sup>	Operating Current	Removal Tool	Crimping Tool
Jack	113020100334	2.6	1.6	16-20	10A	Non-removable	YJQ-M309
Jack	113020100335	3.6	2.6	12-14	20A	Non-removable	YJQ-M309
Jack	113020100336	4.8	3.7	10-12	30A	Non-removable	YJQ-M309

### Φ3.6 Contact Pair 2



For D-Series-Power Connectors-Mixed-Crimp Style (Male)



Suitable for D-Series-Power Connectors-Mixed-Crimp Style (Female)

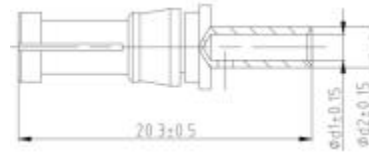
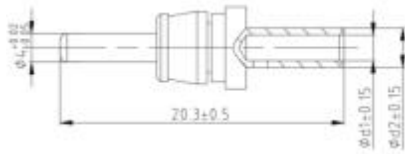
Category	Order No.	Φd1	Φd2	Adapted Wire mm <sup>2</sup>	Operating Current	Removal Tool	Crimping Tool
Pin	115210011401	3.4	4.6	10-12	30A	Non-removable	YJQ-M309
Pin	115210011402	2.8	4	12-14	20A	Non-removable	YJQ-M309
Pin	115210011403	1.8	0.8	16-20	10A	Non-removable	YJQ-M309

Category	Order No.	Φd1	Φd2	Adapted Wire mm <sup>2</sup>	Operating Current	Removal Tool	Crimping Tool
Jack	115310016701	3.4	4.6	10-12	30A	RTSCA-08	YJQ-M309
Jack	115310016702	2.8	4	12-14	20A	RTSCA-08	YJQ-M309
Jack	115310016703	1.8	0.8	16-20	10A	RTSCA-08	YJQ-M309



## D-sub Series Connectors-Contacts Specifications

### Φ2 Contact Pair (Purchased Separately)



Suitable for D-Series - Power connectors - High pressure resistant - Crimp-on (male) Suitable for D-Series - Power connectors - High pressure resistant - Crimp-on (female)

Name	Order No.	Φd1	Φd2	Adapted Wire mm <sup>2</sup>	Removal tool	Crimping tool
T20WC020-T15G Pin Assembly	115210011401	1.8	2.8	1mm <sup>2</sup> -1.5mm <sup>2</sup>	RTSCA-04	YJQ-M309
T20WC020-T40G Pin Assembly	115210011402	2.8	4	2mm <sup>2</sup> -4mm <sup>2</sup>	RTSCA-04	YJQ-M309

Name	Order No.	Φd1	Φd2	Adapted Wire mm <sup>2</sup>	Removal Tool	Crimping Tool
T20WC020-T15G Jack Assembly	113020601848	1.8	2.8	1mm <sup>2</sup> -1.5mm <sup>2</sup>	RTSCA-04	YJQ-M309
T20WC020-T40G Jack Assembly	113020601847	2.8	4	2mm <sup>2</sup> -4mm <sup>2</sup>	RTSCA-04	YJQ-M309

### Specialized Tool Model (Ordered Separately)

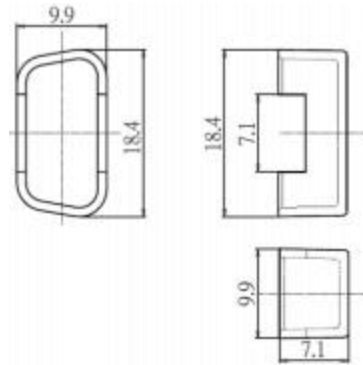
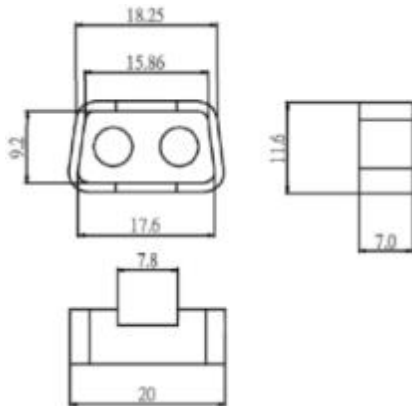
Category	Removal Tools	Crimping Tool Model	Crimping Tools for Crimping Range
Standard - Signal Connectors	hdc-dsub9-cx (113030400145)	M22520/1-01	Point pressing : (0.5-2.5)mm <sup>2</sup>
Power Connectors	Non-removable	YJQ-M300	2-10mm <sup>2</sup>

- Note: 1. Dust cover (purchased separately) - see annex on back page  
 2. Locking accessories - see annex on back page  
 3. Outlet box assembly (purchased separately) - see annex overleaf

## D-sub Series Connectors - Cordless Plastic Dust Cover

DE Plastic Dust Cover – Pin End  
(Purchased Separately)

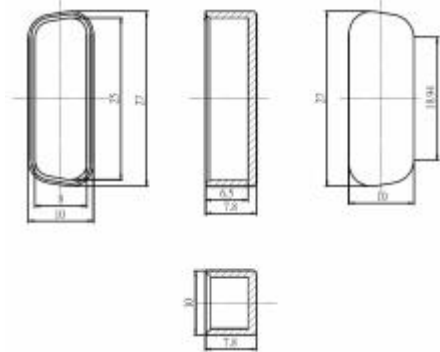
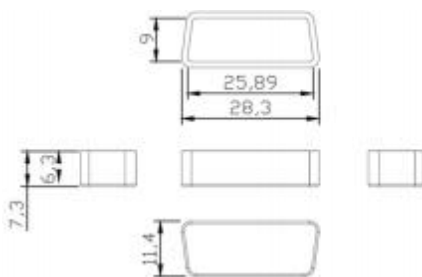
DE Plastic Dust Cap – Jack End  
(purchased separately)



Housing Number	Dust Cover Name	Order Number	Applicable models	Protection Class
DE	DE Plastic Dust Cap - Pin End	110010400573	D-Series Male Connectors with E-Housing	IPX3
DE	DE Plastic Dust Cover - Jack End	110010400574	D-Series Female Connector with E-Housing	

DA Plastic Dust Cover - Pin End  
(purchased separately)

DA Plastic Dust Cover - Jack End  
(purchased separately)

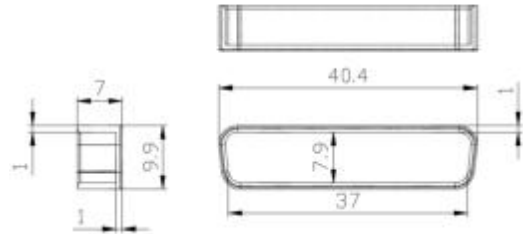
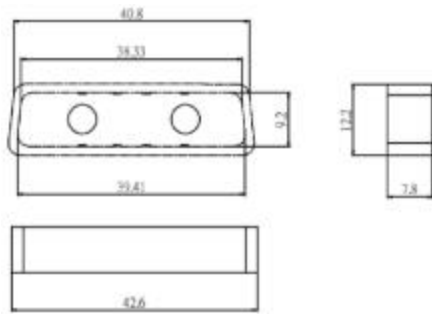


Housing No.	Dust Cover Name	Order No.	Applicable Model No.	Protection class
DA	DA Plastic Dust Cover-Pin End	110010400575	D-Series Male Connectors with A-Housing	IPX3
DA	DA Plastic Dust Cover - Jack End	110010400581	D-Series Female Connector with A-Housing	

D-sub Series Connectors - Cordless Plastic Dust Cover

DB Plastic Dust Cover - Pin End  
(purchased separately)

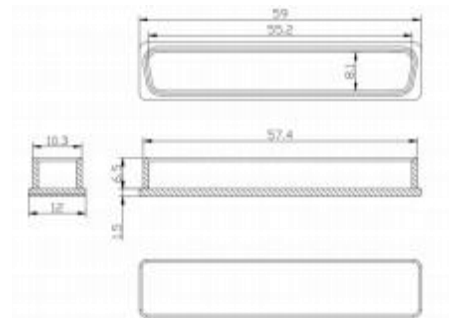
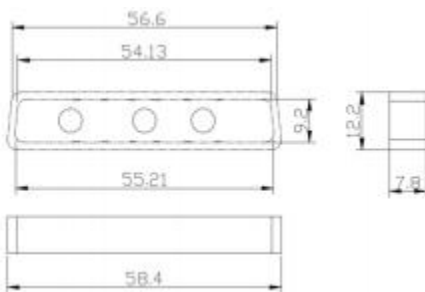
DB Plastic Dust Cover - Jack End  
(Sold Separately)



Housing Number	Dust Cover Name	Order Number	Applicable Model	Protection Class
DB	DB Plastic Dust Cover-Pin End	110010400582	D-Series Male Connector with B-Housing	IPX3
DB	DB Plastic Dust Cover - Jack End	110010400583	D-Series Female Connector with B-Housing	

DC Plastic Dust Cover - Pin End  
(purchased separately)

DC Plastic Dust Cover - Jack End  
(purchased Separately)

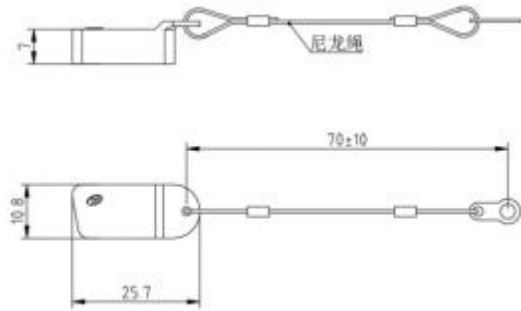
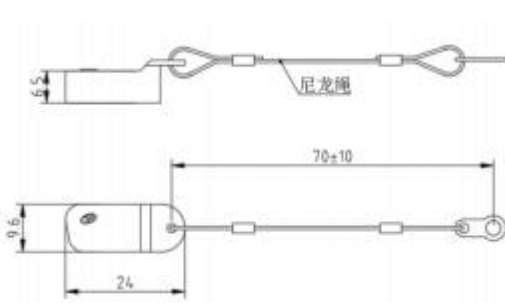


Housing No.	Dust Cover Name	Order No.	Applicable Model No.	Protection Class
DC	DC Plastic Dust Cover-Pin End	110010400584	D-Series Male Connectors with C-Housing	IPX3
DC	DC Plastic Dust Cover - Jack End	110010400585	D-Series Female Connectors with C-Housing	

## D-sub Series Connectors - Nylon Rope Plastic Dust Cover

DE Plastic Dust Cover - Pin End  
(Purchased Separately)

DE Plastic Dust Cover – Jack End  
(purchased separately)

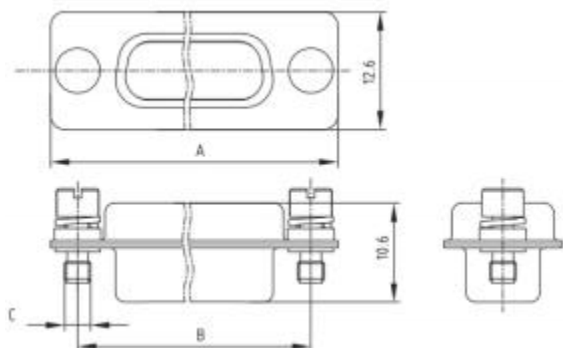


Housing No.	Dust Cover Name	Order No.	Applicable Connector Model No.	Protection Class
DE	YG196 dust cover assembly	113069800121	DE Male (Pin End)	IP40

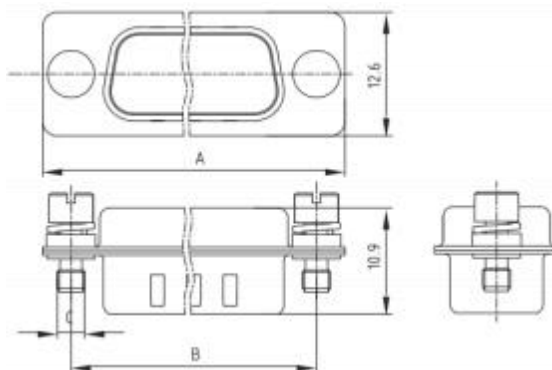
Housing No.	Dust Cover Name	Order No.	Applicable Connector Model No.	Protection Class
DE	YG196 dust cover assembly	113069800122	DB Female End (Jack End)	IP40

D-sub Series Connectors - Metal Dust Cover

Lockable Chainless Metal Dust Cover - Pin End



Lockable Chainless Metal Dust Cover - Jack End



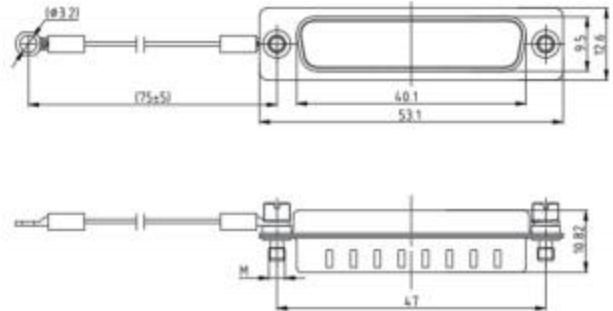
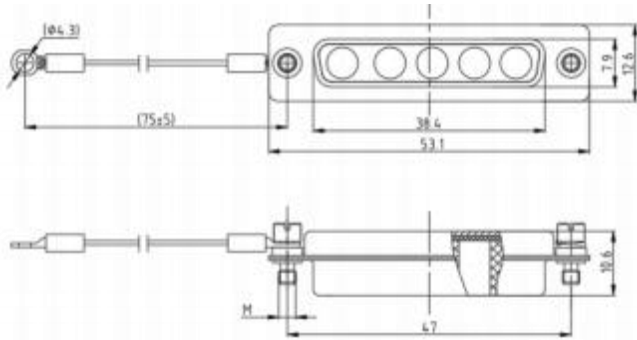
Housing No.	Dust Cover Name	Order No.	A	A	A	Protection Class
DE	DE Metal Dust Cover Assembly (Metric)-Pin End	113011600167	30.8	25	M3	IP40
DE	DE Metal Dust Cover Assembly (US)-Pin End	113011600166	30.8	25	4-40UNC	IP40
DA	DA Metal Cover Assembly (Metric) - Pin End	113039801102	39.3	33.3	M3	IP40
DA	DA Metal Cover Assembly (US) - Pin End	113039801100	39.3	33.3	4-40UNC	IP40
DB	DB Metal Cover Assembly (Metric) - Pin End	113011600171	53.1	47	M3	IP40
DB	DB Metal Cover Assembly (US) - Pin End	113011600170	53.1	47	4-40UNC	IP40
DC	DC Metal Dust Cover Assembly (Metric) - Pin End	113011600175	69.4	63.5	M3	IP40
DC	DC Metal Cover Assembly (US) - Pin End	113011600174	69.4	63.5	4-40UNC	IP40

Housing No.	Dust Cover Name	Order No.	A	A	A	Protection Class
DE	DE Metal Dust Cover Assembly (Metric)-Pin End	113011600167	30.8	25	M3	IP40
DE	DE Metal Dust Cover Assembly (US)-Pin End	113011600166	30.8	25	4-40UNC	IP40
DA	DA Metal Cover Assembly (Metric) - Pin End	113039801102	39.3	33.3	M3	IP40
DA	DA Metal Cover Assembly (US) - Pin End	113039801100	39.3	33.3	4-40UNC	IP40
DB	DB Metal Cover Assembly (Metric) - Pin End	113011600171	53.1	47	M3	IP40
DB	DB Metal Cover Assembly (US) - Pin End	113011600170	53.1	47	4-40UNC	IP40
DC	DC Metal Dust Cover Assembly (Metric) - Pin End	113011600175	69.4	63.5	M3	IP40
DC	DC Metal Cover Assembly (US) - Pin End	113011600174	69.4	63.5	4-40UNC	IP40

## D-sub Series Connectors - Metal Dust Cover

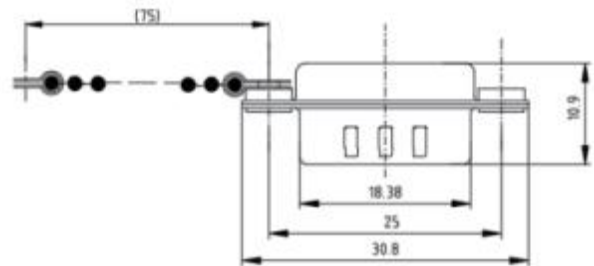
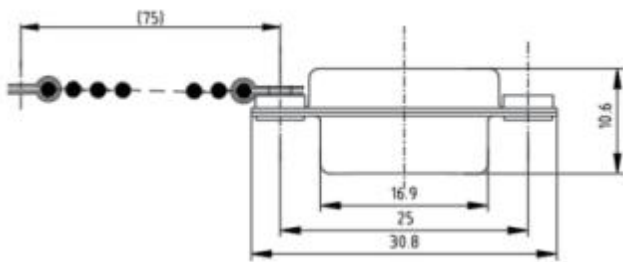
Metal Dust Cover for Lockable Nylon Rope - Pin End (Purchased Separately)

Metal Dust Cover for Lockable Nylon Rope - Jack End (Purchased Separately)



Housing No. Dust Cover Name Order No. M Applicable Connector Model Protection Class						Housing No. Dust Cover Name Order No. M Applicable Connector Model Protection Class					
DB	YG196B PG-Dust Cover Assembly (DB25)	11399000118	M3	DB male (pin end)	IP40	DB	YG196C SG-Dust Cover Assembly (DB25)	11399000121	M3	DB Female End (Jack End)	IP40
DB	YG196B PG-Dust Cover Assembly (DB25)	11399000115	4-40UNC	DB male (pin end)	IP40	DB	YG196C SG-Dust Cover Assembly (DB25)	11399000120	4-40UNC	DB Female End (Jack End)	IP40

Metal Dust Cover for Metal Chain (M3 screw recommended for chain fixing end)-Pin End  
 Metal Dust Cover for Metal Chain (M3 screw recommended for chain fixing end)-Jack End

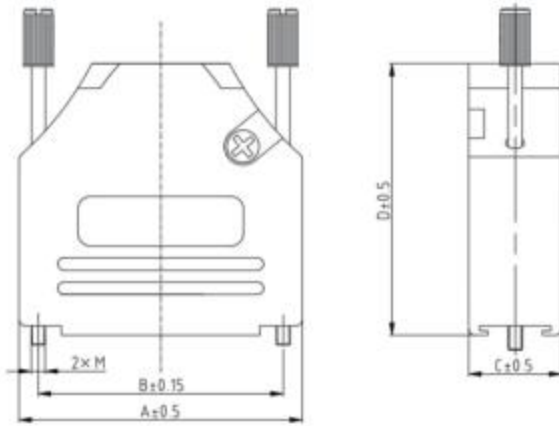


Housing No.	Dust Cover Name	Order No.	Applicable Connector	Model No.	Protection Class
DE	PG-Screwless Metal Chain Dust Cover Assembly	113039800918	DE Male (Pin End)		IP40

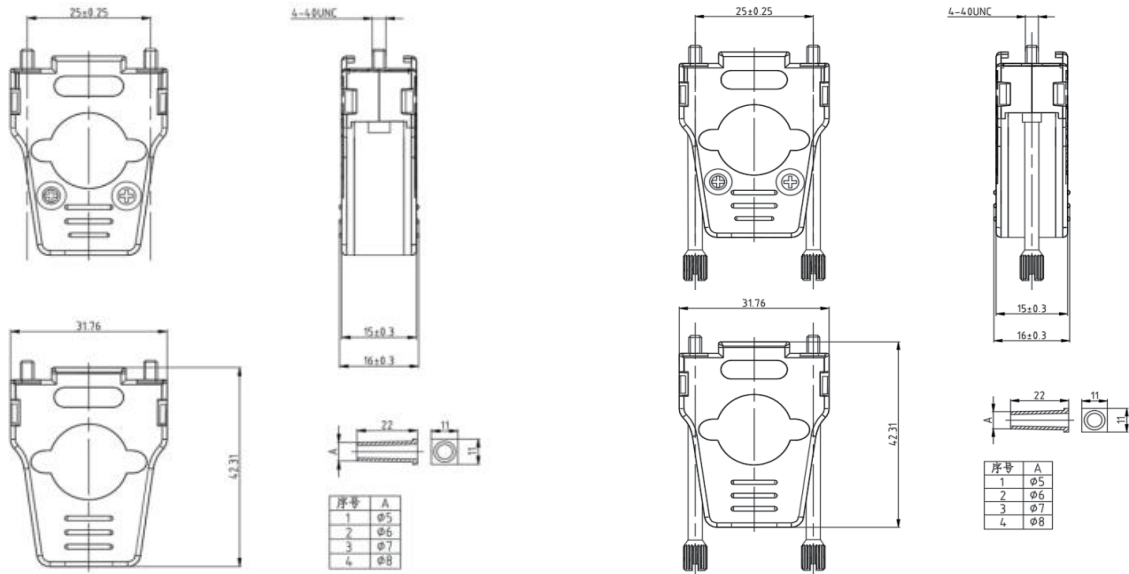
Housing No.	Dust Cover Name	Order No.	Applicable Connector	Model No.	Protection Class
DE	SG-Screwless Metal Chain Dust Cover Assembly	113039800919	DE Female End (Jack End)		IP40

## D-sub Series Connectors - Self-Locking Cable Outlet Box

### Straight Type Outlet Box



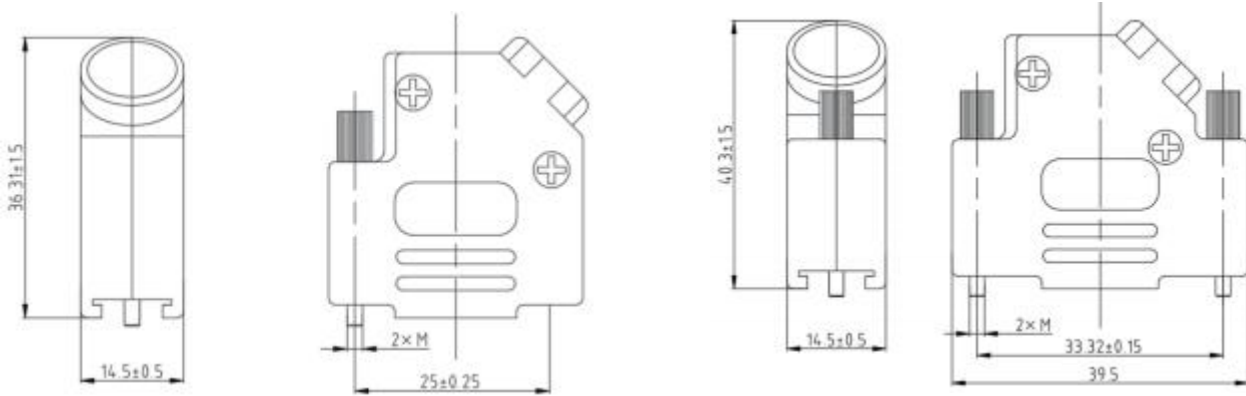
Housi No.	Order No.	A	B	C	D	M	Wire Clamp Locking Range	Housi No.	Order No.	A	B	C	D	M	Wire Clamp Locking Range
DE	501021700292	32	25	15	40	4-40UNC	5, 6, 7, 8, 9, 10	DB	113040100041	53.5	47.04	15	48.5	M3	5, 6, 7, 8, 9, 10
DE	113040100120	32	25	15	40	M3	5, 6, 7, 8, 9, 10	DC	113040100047	71	63.5	15	53	4-40UNC	5, 6, 7, 8, 9, 10
DA	501021700448	40	33.32	15	41.5	4-40UNC	5, 6, 7, 8, 9, 10	DC	113040100042	71	63.5	15	53	M3	5, 6, 7, 8, 9, 10
DA	113040100040	40	33.32	15	41.5	M3	5, 6, 7, 8, 9, 10	DD	113040100048	67.5	61.1	18.7	54	4-40UNC	11, 12.5, 14.15
DB	113040100046	53.5	47.04	15	48.5	4-40UNC	5, 6, 7, 8, 9, 10	DD	113040100043	67.5	61.1	18.7	54	M3	11, 12.5, 14.15



Adapted Housing Model	Order No.	Description
DE	113040100213	Long Screw, Rubber Sheath

## D-sub Series Connectors - Self-Locking Cable Outlet Box

### Side Type Outlet Box



Adapted Housing No.	Order No.	M	Outlet Direction Locking Range	
DE	501021700446	4-40UNC	45°	5, 6, 7, 8, 9, 10
DE	113040100143	M3	45°	5, 6, 7, 8, 9, 10

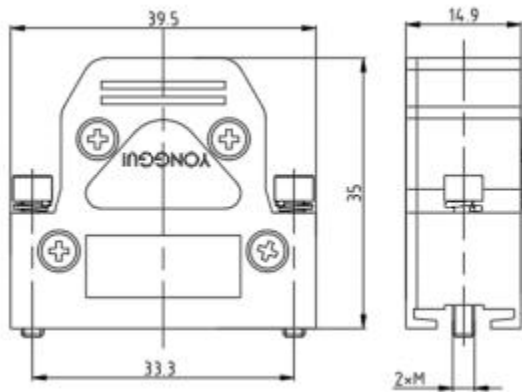
Adapted Housing No.	Order No.	M	Outlet Direction Locking Range	
DA	501021700447	4-40UNC	45°	5, 6, 7, 8, 9, 10
DA	113040100126	M3	45°	5, 6, 7, 8, 9, 10



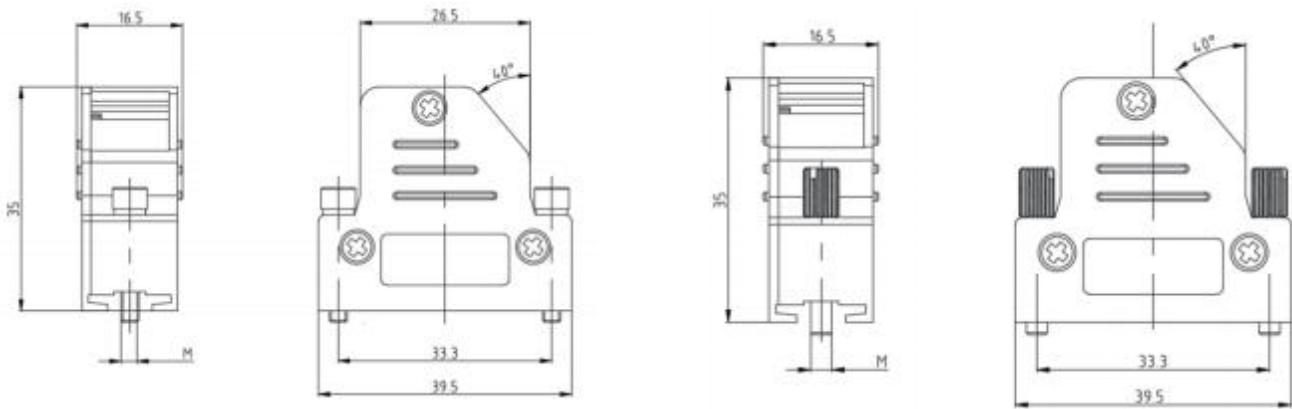


## D-sub Series Connectors - Locking Cable Outlet Boxes Purchased Separately

### DA Type Outlet Box



Adapted Housing No.	Order No.	M	Number/Direction of Outlets	Coating	Remarks	Adapted Housing No.	Order No.	M	Number/Direction of Outlets	Coating	Remarks
DA	113040100055	4-40unc	1 straight type	Trivalent Chromium Passivation	With grounding post	DA	113040100063	4-40unc	1 straight type	nickel-plated	With grounding post
DA	113040100054	M3	1 straight type	Trivalent Chromium Passivation	With grounding post	DA	113040100062	M3	1 straight type	nickel-plated	With grounding post
DA	113040100176	4-40unc	1 straight type	Trivalent Chromium Passivation	Without grounding post	DA	113040100177	4-40unc	1 straight type	nickel-plated	Without grounding post
DA	113040100122	M3	1 straight type	Trivalent Chromium Passivation	Without grounding post	DA		M3	1 straight type	nickel-plated	Without grounding post



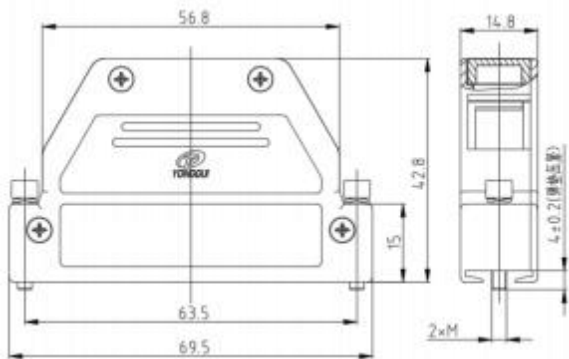
Adapted Housing No.	Order No.	M	Number/Direction of Outlets	Coating	Remarks
DA	115410028701	4-40unc	1 side type	nickel-plated	Without grounding post
DA	115410028702	M3	1 side type	nickel-plated	Without grounding post

Adapted Housing No.	Order No.	M	Number/Direction of Outlets	Coating	Remarks
DA	115410028801	4-40unc	1 side type	nickel-plated	No grounding post
DA	115410028802	M3	1 side type	nickel-plated	No grounding post



## D-sub Series Connectors - Locking Cable Outlet Boxes Purchased Separately

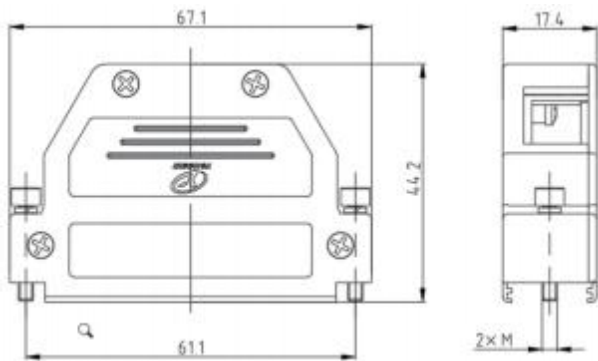
### DC Type Outlet Box



Adapted Housing No.	Order No.	M	Number/Direction of Outlets	Coating	Remarks
DC	113040100032	4-40unc	1 straight type + 2 side type	Trivalent Chromium Passivation	With grounding post
DC	113040100031	M3	1 straight type + 2 side type	Trivalent Chromium Passivation	With grounding post

Adapted Housing No.	Order No.	M	Number/Direction of Outlets	Coating	Remarks
DC	113040100183	4-40unc	1 straight type + 2 side type	nickel-plated	With grounding post
DC	113040100184	M3	1 straight type + 2 side type	nickel-plated	With grounding post

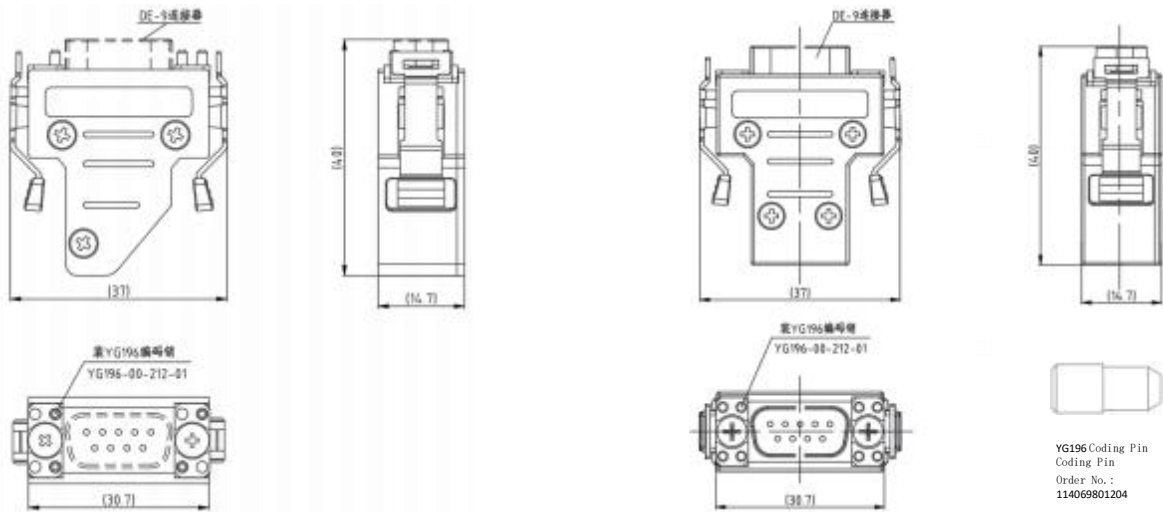
### DD Type Outlet Box



Adapted Housing No.	Order No.	M	Number/Direction of Outlets	Coating	Remarks
DD	113040100146	4-40unc	1 straight type + 2 side type	nickel-plated	With grounding post

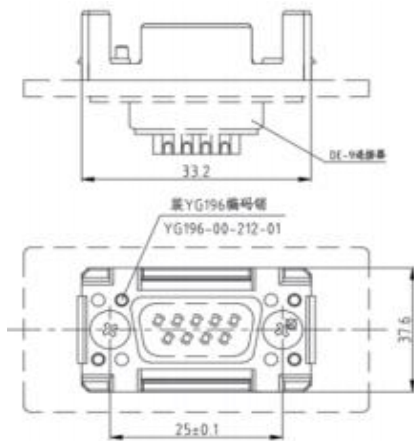
Adapted Housing No.	Order No.	M	Number/Direction of Outlets	Coating	Remarks
DD	113040100192	M3	1 straight type + 2 side type	nickel-plated	With grounding post

DB Type Outlet Box

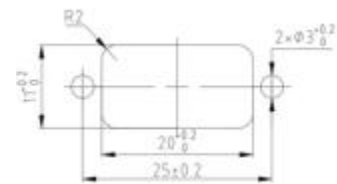


Adapted Housing No.	Order No.	M	Number/Direction of Outlets	Coating	Remarks
DE	112010100996		1 side type	nickel-plated	Connector purchased separately
					Coded pins purchased separately
					Tail with cable clamp assembly.
					Individual purchases

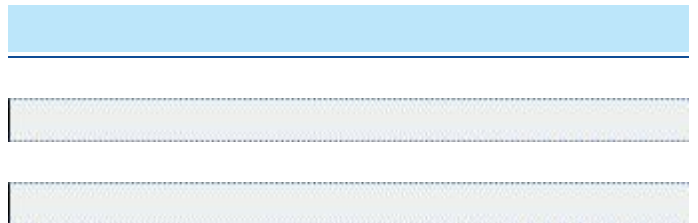
Adapted Housing No.	Order No.	M	Number/Direction of Outlets	Coating	Remarks
DE	112010101527		1 straight type	nickel-plated	Connector purchased separately
					Coded pins purchased



YG196 Coding Pin Coding Pin Order No.:

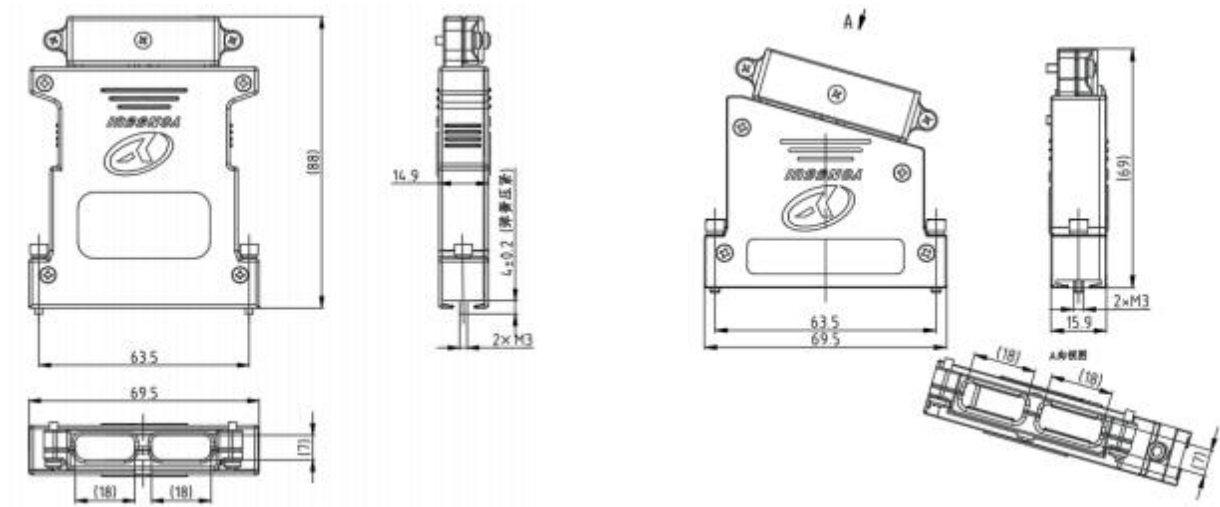


Adapted Housing No.	Order No.	M	Number/Direction of Outlets	Coating	Remarks
DE	112020101149			nickel-plated	Connector purchased separately
					Coded pins purchased separately



## D-sub Series Connectors - Fixed Locking Cable Size Outlet Box Assemblies

### DC Type Outlet Box

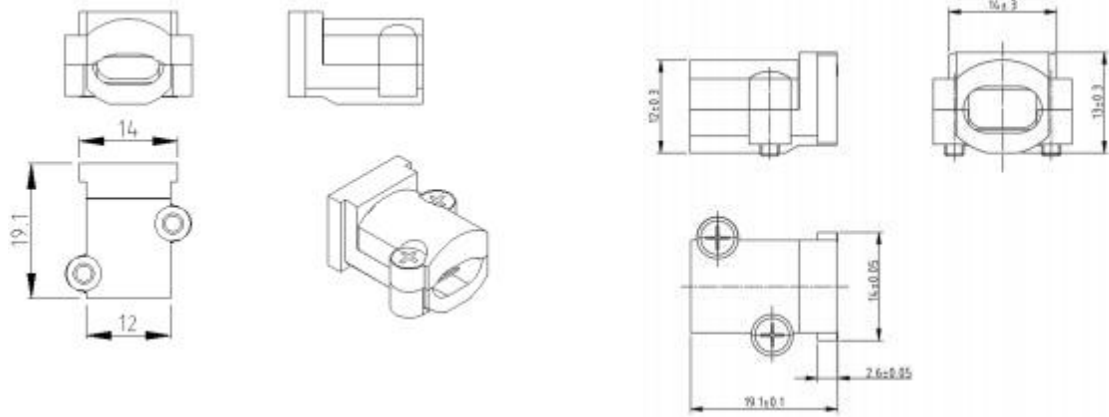


Adapted Housing No.	Order No.	M	Number/Direction of Outlets	Coating	Remarks
DC	113040100138		2 straight type	nickel-plated	Suitable for 4 φ8 cables.

Adapted Housing No.	Order No.	M	Number/Direction of Outlets	Coating	Remarks
DC	113010100882		2 side type	nickel-plated	Suitable for 4 φ8 cables.

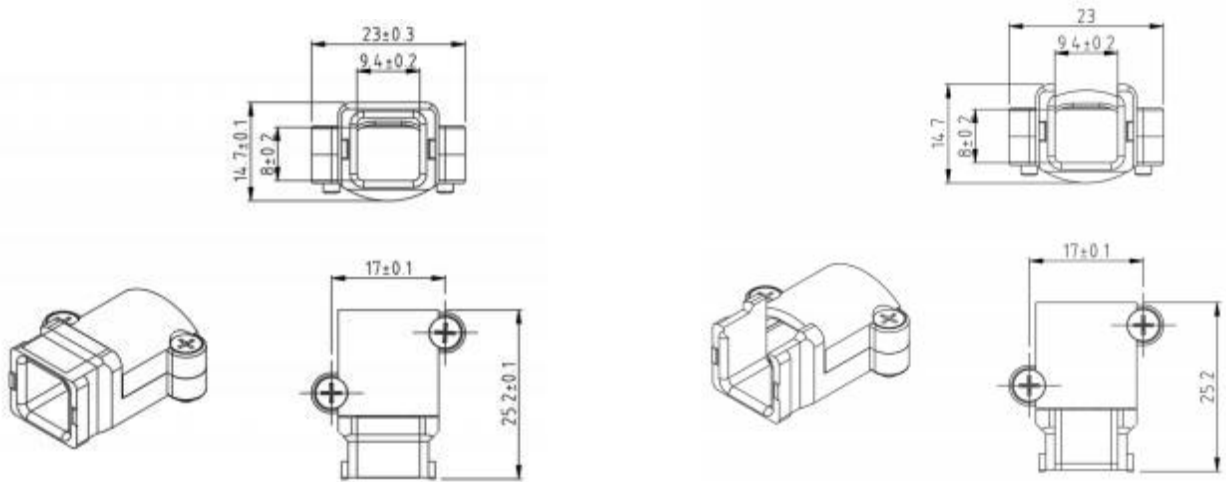
D-sub Series Connectors - Outlet Box Accessories

Cable Clamp Assembly



Order No.	Crimping Range	Coating	Remarks
11304980064	5-7	Trivalent Chromium Passivation	One-piece
11304980063	5-7	nickel-plated	One-piece

Order No.	Crimping Range	Coating	Remarks
11304980017	7-10	Trivalent Chromium Passivation	One-piece
113040100098	7-10	nickel-plated	One-piece

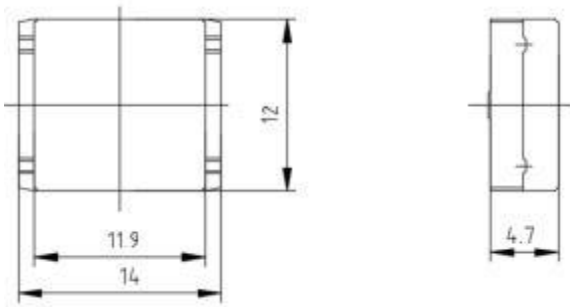


Order No.	Crimping Range	Coating	Remarks
113049800028	9-12	Trivalent Chromium Passivation	One-piece
113040100163	9-12	nickel-plated	One-piece

Order No.	Crimping Range	Coating	Remarks
113049800029	9-12	Trivalent Chromium Passivation	two-piece
	9-12	nickel-plated	two-piece

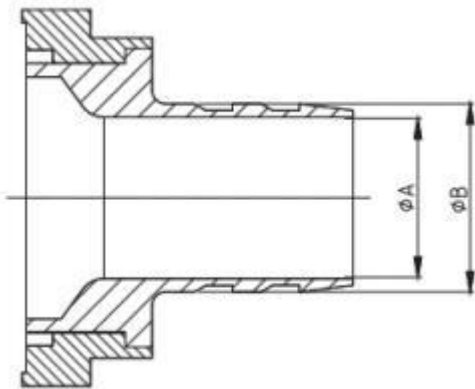
## D-sub Series Connectors - Outlet Box Accessories

### Plug



Order No.	Coating	Remarks	Order No.	Coating	Remarks
114049800035	Trivalent Chromium Passivation		114040100283	nickel-plated	

### Tail Cover assembly (Part Material: Zinc Alloy)

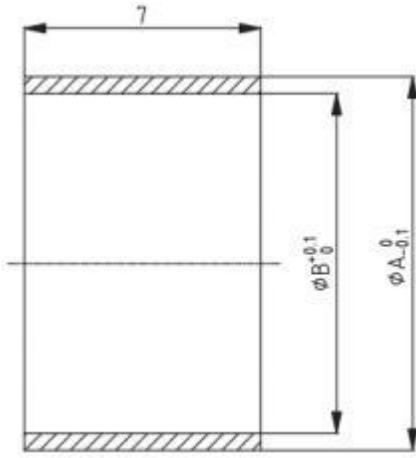


Order No.	A	B	Coating	Order No.	A	B	Coating
113049800020	3	4	Trivalent Chromium Passivation	115980035401	3	4	nickel-plated
113049800021	3.5	4.5	Trivalent Chromium Passivation	115980035402	3.5	4.5	nickel-plated
113049800022	4	4.8	Trivalent Chromium Passivation	115980035403	4	4.8	nickel-plated
113012100049	4.5	5.6	Trivalent Chromium Passivation	115980035404	4.5	5.6	nickel-plated
113012100048	5	6.1	Trivalent Chromium Passivation	115980035405	5	6.1	nickel-plated
113049800023	5.5	6.5	Trivalent Chromium Passivation	115980035406	5.5	6.5	nickel-plated
113012100047	5.9	7	Trivalent Chromium Passivation	115980035407	5.9	7	nickel-plated
113049800024	6.5	7.5	Trivalent Chromium Passivation	115980035408	6.5	7.5	nickel-plated
113012100050	7	8	Trivalent Chromium Passivation	115980035409	7	8	nickel-plated
113012100051	7.5	8.5	Trivalent Chromium Passivation	115980035410	7.5	8.5	nickel-plated
113049800019	8	9.1	Trivalent Chromium Passivation	115980035411	8	9.1	nickel-plated
113049800026	8.5	9.5	Trivalent Chromium Passivation	115980035412	8.5	9.5	nickel-plated
113049800027	9	10	Trivalent Chromium Passivation	115980035413	9	10	nickel-plated



## D-sub Series Connectors - Outlet Box Accessories

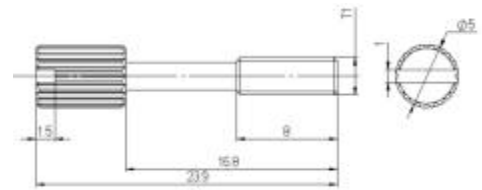
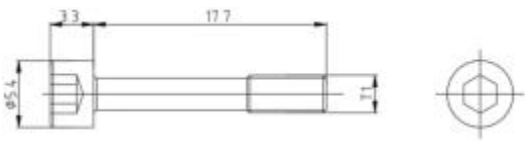
Casing (Part Material: Copper Alloy (Nickel-Plated))



Order No.	A	B	Coating	Order No.	A	B	Coating
114029800373	6	5		114029800340	11	10	
114029800345	6.5	5.5		114029800350	11.5	10.5	
114029800346	7	6		114029800351	12	11	
114029800347	7.5	6.5		114029800352	12.5	11.5	
114029800348	8	7		114029800374	13	12	
114029800341	8.5	7.5		114029800375	13.5	12.5	
114029800338	9	8		114029800376	14	13	
114029800349	9.5	8.5		114029800377	14.5	13.5	
114029800344	10	9		114029800378	15	14	
114029800353	10.5	9.5					

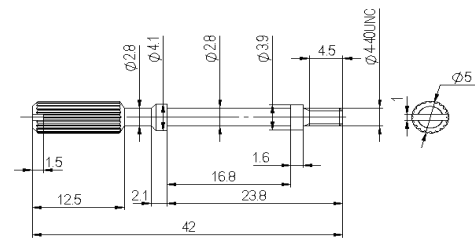
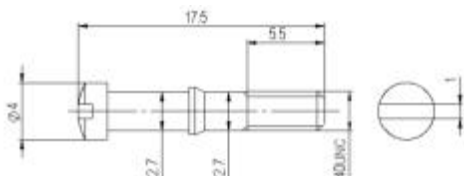
## D-sub Series Connectors-Locking Accessories

### Locking Screw



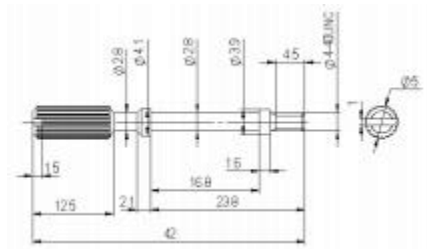
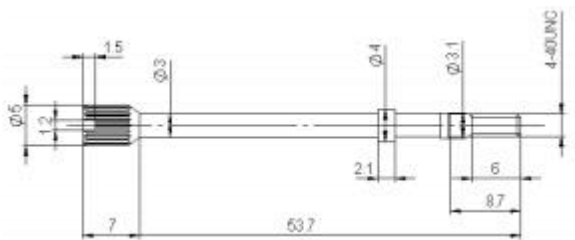
Order NO.	TI	Adepted Spring Washer (Order No.)	Scope of Application
114039801108	4-40UNC	Spring washers GB/T 9074.26 3 (501010400044)	Outlet Box Accessories
114039801100	M3	Spring washers GB/T 93 3 (501010400011)	Outlet Box Accessories

Name	Order NO.	TI	Scope of Application
4-40UNC x 16.8 screws	115980046801	4-40UNC	Outlet Box Accessories
M3x16.8 screws	115980046802	M3	Outlet Box Accessories



Name	Order NO.	Scope of Application
15.4 x 4-40UNC screws	114029801950	Outlet Box Accessories

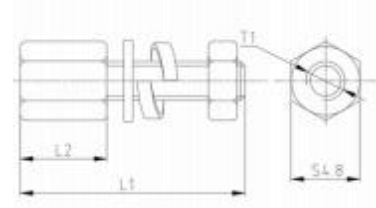
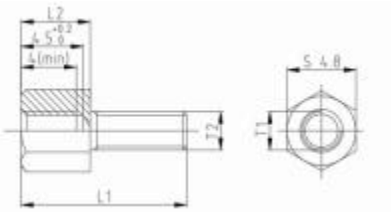
Name	Order NO.	Scope of Application
29.5 x 4-40UNC screws	114029801951	Outlet Box Accessories



Name	Order No.	Scope of Application	Name	Order No.	Scope of Application
46.7 x 4-40UNC screws	114029801965	Outlet Box Accessories			

Locknut

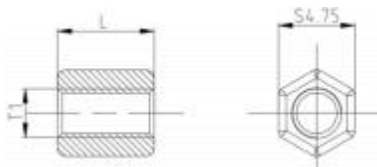
Lock Nut Assemblies



Order Number	T1	T2	L1	L2	Scope of Application
114029801134	4-40UNC	4-40UNC	11.8	4.8	For fixed end use
114039801640	4-40UNC	M3	12	5	For fixed end use
114029801816	4-40UNC	4-40UNC	9.6	4.8	For fixed end use
114039803424	M3	4-40UNC	19	4.8	For fixed end use
114039804445	M3	4-40UNC	10	4.8	Available for straight board end nutless connectors
114029801526	4-40UNC	4-40UNC	10	4.8	Available for straight board end nutless connectors

Order Number	T1	T2	L1	L2	Scope of Application
113039800902	4-40UNC	25		6	For fixed end panel locking
113029800328	M3	15		5	For fixed end panel locking
113029800121	4-40UNC	17		5	For fixed end panel locking
113039800514	M3	12.7		5	For fixed end panel locking
114019800877	4-40UNC	12.7		5	For fixed end panel locking

Locknut



Name	Order Number	T1	L	Scope of Application
4-40UNC x 6 nuts	114030900705	4-40UNC	6	Connector Accessories
M3x6 Nut	114030900704	M3	6	Connector Accessories
4-40UNC x 10.8 nut		4-40UNC	10.8	Connector Accessories

# *MVB Series & CAN Series*



## MVB Series and CAN Series - Separate Tail Attachment Type

### Technical Parameters

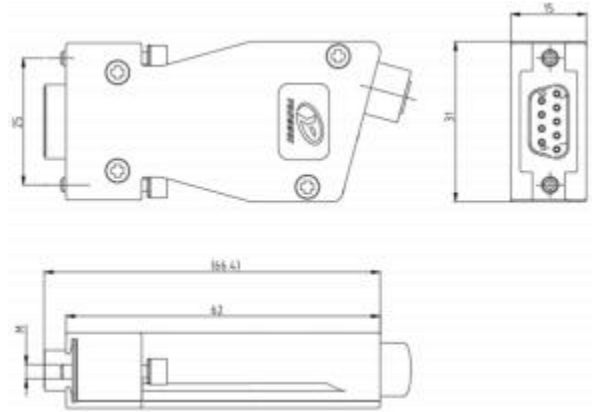
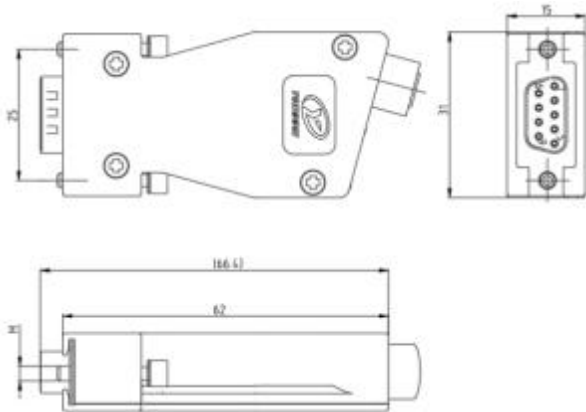
#### [Electrical Parameters]

Item	Parameters
Contact surfaces:	Gold-plated
Contact resistance:	≤5mΩ
Rated current:	1A
Rated Voltage:	24V
Data transfer rate:	1.5Mbps
Voltage withstand:	1000V
Insulation resistance:	≥200MΩ
Cable characteristic impedance:	120Ω

#### [Mechanical Properties]

Item	Parameters
Mechanical life:	500 times
Single foot separation force:	0.3N to 2N
Cable OD:	8±0.2mm
Protection Class:	IP40
Flame retardant class:	UL94-V0
[Operating Temperature]	
Item	Parameters
Working temperature:	-40°C~+85°C

### Overall Dimensions



Series	Product Name	Order No.	M	Contact Type	Type of Control	Remarks
MVB	YGC-DE-9PHSR-TY Plugs	112010103651	M3	Pin	jumper (electronics)	Locking accessories purchased separately
MVB	YGC-DE-9PHSL-TY plugs	112010103585	4-40UNC	Pin	jumper (electronics)	Locking accessories purchased separately
MVB	YGC-DE-9PHSG plugs	112010100681	4-40UNC	Pin	dipswitch	Comes with two φ5.9 tail covers
				Pin		Assembly and φ9.5 casing
CAN	YGC-DE-9PHSJ1-TY Plugs	-	M3	Pin	toggle switch	Locking accessories purchased separately
CAN	YGC-DE-9PHSJ-TY Plugs	112010103074	4-40UNC	Pin	toggle switch	Locking accessories purchased separately

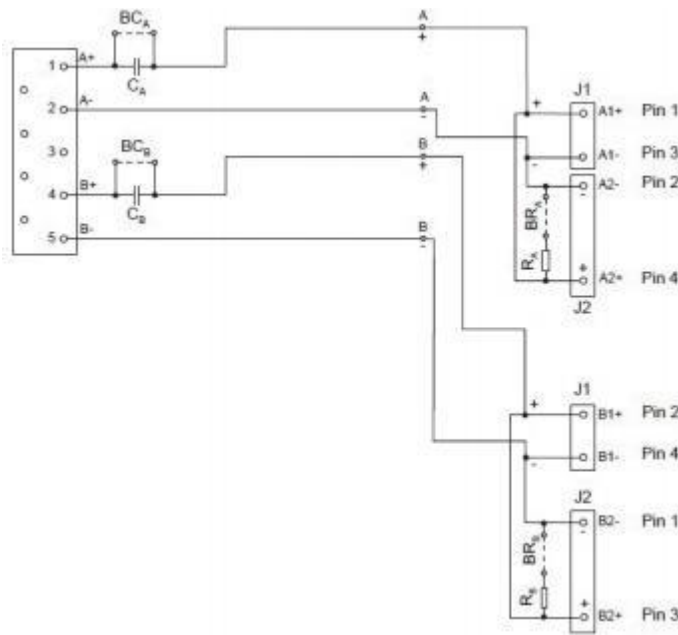
NOTE: Available cable clamp assemblies locking range is (5-7) and (7-10).

Series	Product Name	Order No.	M	Contact Type	Type of Control	Remarks
MVB	YGC-DE-9SHSQ-TY plugs	112010103652	M3	Jack	jumper	Locking accessories purchased separately
MVB	YGC-DE-9SHSM-TY Plugs	112010103584	4-40UNC	Jack	jumper	Locking accessories purchased separately
MVB	Plug YGC-DE-9SHSD	112010100680	4-40UNC	Jack	dipswitch	Comes with two φ5.9 tail covers
				Jack		Assembly and φ9.5 casing
CAN	YGC-DE-9SHSK1-TY Plugs	-	M3	Jack	toggle switch	Locking accessories purchased separately
CAN	YGC-DE-9SHSK-TY plugs	112010103075	4-40UNC	Jacks	toggle switch	Locking accessories purchased separately

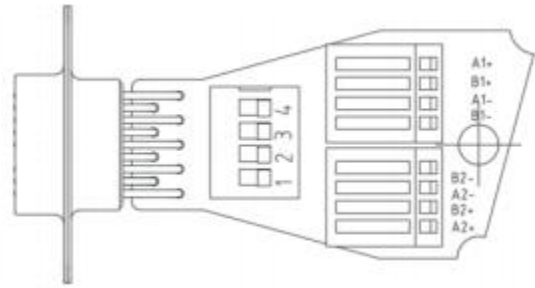
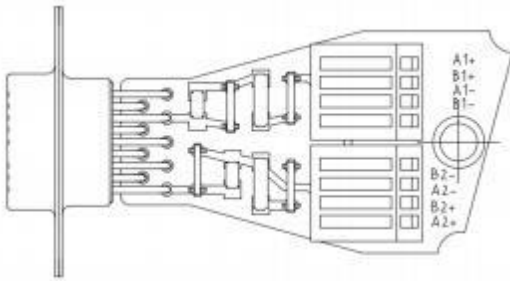
NOTE: Available cable clamp assemblies locking ranges is (5-7) and (7-10).

## MVB Series and CAN Series - Separate Tail Attachment Type

### MVB Logic Circuit Diagram - Jumper Bridge Type



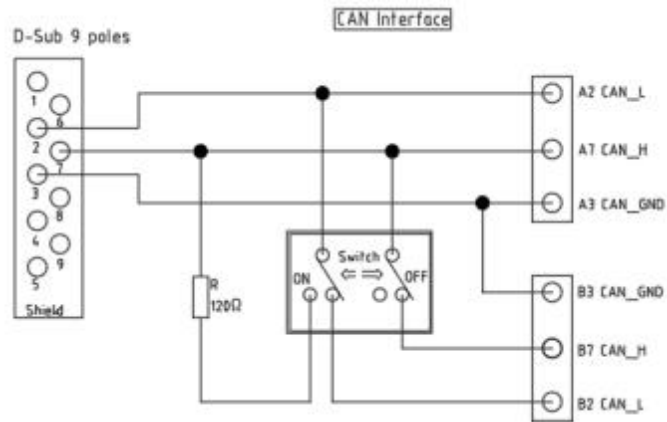
### MVB Wiring Principle - MVB Wiring Principle -



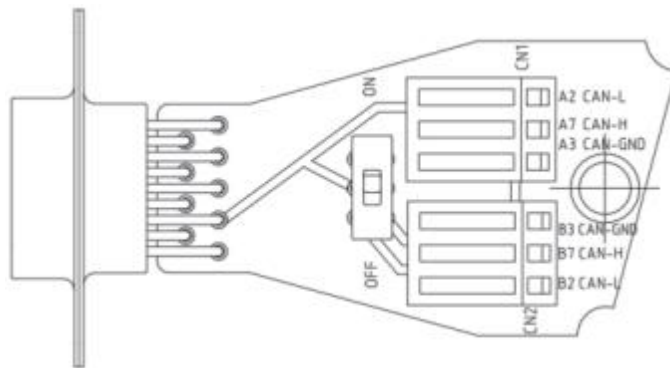
Dsub 9PIN Jack Location	Terminal Block Jack Location	Signal indication	Jumper status	Remarks
1	A1+, A2+	Line A positive	120Ω resistor in parallel	The connector can be used as a terminal or repeater.
2	A1-, A2-	Line A Negative	120Ω resistor in parallel	As a terminal, leave jumper wires BRA and BRB connected so that the terminating resistor operates; as a repeater, disconnect jumper wires BRA and BRB so that the terminating resistor is disconnected. In both cases, jumper BCA and BCB must be connected.
4	B1+, B2+	B line positive	120Ω resistor in parallel	
5	B1-, B2-	B line Negative	120Ω resistor in parallel	

D-SUB Jack Number	Switch states	2 and 3 on, 1 and 4 off		1234 on		Remarks
		Jack position of terminal block	Jack position of terminal block	Jack position of terminal block	Jack position of terminal block	
1	A1+ A2+	(A1+, A1-)	(A2+ A2-)	Parallel resistance 120Ω		
2	A1-, A2-	(A1+, A1-)	(A2+ A2-)	Parallel resistance 120Ω		
4	B1+ B2+	(B1+, B1-)	(B+ B2-)	Parallel resistance 120Ω		
5	B1-, B2-	(B1+, B1-)	(B+ B2-)	Parallel resistance 120Ω		

CAN Logic Circuit Diagram



CAN Wiring Principle



Level	OFF	ON	120Ω Resistor Access State
Dsub_9PIN Jack	Terminal Block Jack	Terminal Block Jack	
2	A2, B2	A2, A7	With the switch in the ON position, a 120 Ω resistor is connected in parallel
7	A7, B7	A2, A7	With the switch in the ON position, a 120 Ω resistor is connected in parallel
3	A3, B3	A3, B3	Disconnection

## MVB Series and CAN Series - CAN Bus Electrical Connectors

### Product Description

CAN bus connectors are mainly used for control systems within and between vehicles.

The system has good electrical performance, electromagnetic compatibility performance and environmental resistance.

Uses a 9-pin D-Sub connector socket

Product Name	Order No.	Remarks
YGC-DE-9SHSAG1 Plugs	112010104974	U.S.-Female
Plug	114069803924	Customized

### Technical Parameters

#### [Electrical Parameters]

Item	Parameters
Contact surfaces:	Gold-plated
Contact resistance:	≤5mΩ
Rated current:	100mA
Rated Voltage:	5V
Terminating resistor:	120Ω

#### [Operating Temperature]

Item	Parameters
Operating Temperature	-20°C~+75°C
Storage/Transportation:	-40°C~+85°C

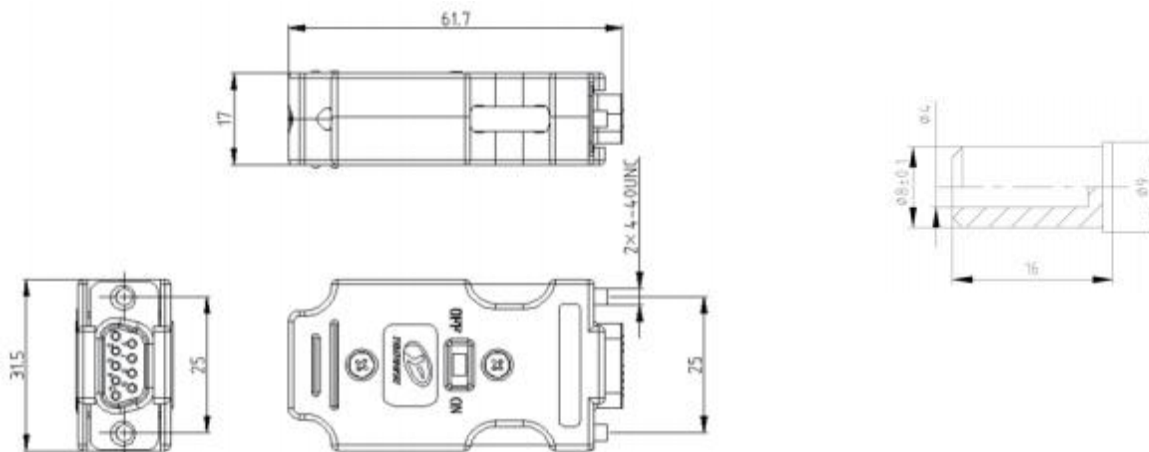
#### [Mechanical Properties]

Item	Parameters
Mechanical life:	≥ 200 times
Single foot separation force:	0.3N to 2N
Cable OD:	8±0.4mm
Protection Class:	IP40
Flame retardant rating:	UL94-V0
Termination method:	Cage Terminal Block
Number of wires coming out of the end of the connector:	2

#### [Material]

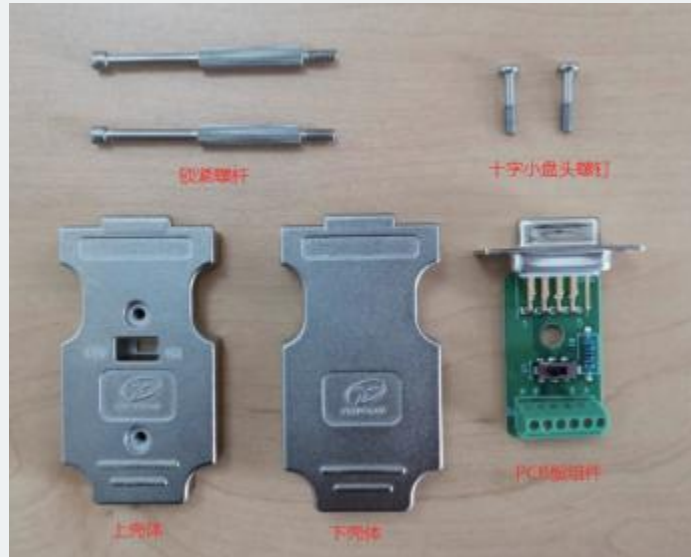
Item	Parameters
Housing:	Aluminum

### Overall Dimensions



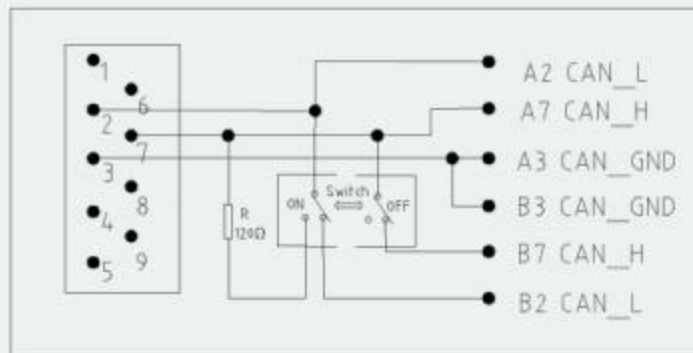


Disassembled Parts



① 2 locking screws ② 2 Phillips pan head screws ③ 1 upper housing ④ 1 lower housing ⑤ 1 PCB board assembly

Logic Circuit Diagram



## MVB Series and CAN Series - CAN Bus Electrical Connectors

### Product Description

CAN bus connectors are mainly used for control systems within and between vehicles.

The system has good electrical performance, electromagnetic compatibility performance and environmental resistance.

Uses a 9-pin D-Sub connector socket

Product Name	Order No.	Remarks
YGC-DE-9PHSAL Plugs	112010105429	US-Metric

### Technical Parameters

#### [Electrical Parameters]

Item	Parameters
Contact surfaces:	Gold-plated
Contact resistance:	$\leq 5\text{m}\Omega$
Rated current:	100mA
Rated Voltage:	5V
Terminating resistor:	390 $\Omega$ , 220 $\Omega$ , 390 $\Omega$ (externally switchable)

#### [Operating Temperature]

Item	Parameters
operating temperature	-20°C~+75°C
Storage/Transportation:	-40°C~+85°C

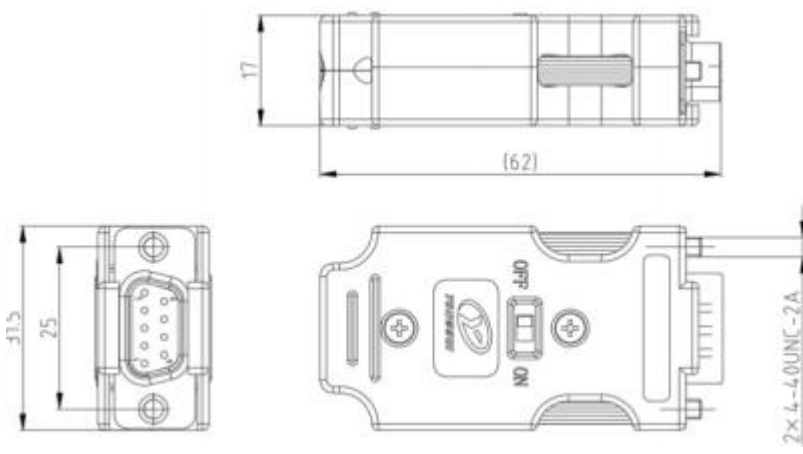
#### [Mechanical Properties]

Item	Parameters
Mechanical life:	$\geq 200$ times
Single foot separation force:	8±0.4mm
Cable OD:	IP40
Protection Class:	UL94-V0
Flame retardant rating:	Cage Terminal Block (2×2pin) Adaptable Wire Size: 24-18AWG
Termination method:	0.1N-m (Maximum breaking moment 0.2 N-m)
Number of wires coming out of the end of the connector:	2

#### [Material]

Item	Parameters
Housing:	Aluminum
Surface treatment:	nickel-plated

# Overall Dimensions



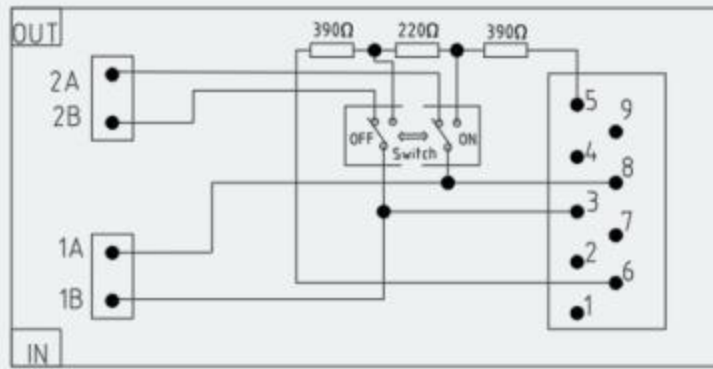
## MVB Series and CAN Series - CAN Bus Electrical Connectors

### Disassembled Parts



① 2 locking screws ② 2 Phillips pan head screws ③ 1 upper housing ④ 1 lower housing ⑤ 1 PCB board assembly

### Logic Circuit Diagram



Handwriting practice area with multiple sets of horizontal dotted lines for writing.



科技逐梦未来



## Sichuan Yonggui Science and Technology Co., Ltd.



Address: 68 Jinjialin Street, Fucheng District, Mianyang City

Tel: **0816-2865042**



Website: <https://www.yonggui-sc.com>

