


Technical Specifications


YG1176D -2pin Series Electrical Connectors

• Product Overview

 <p>Application scenarios: Charger, oil pump, air pump, high voltage box</p>	<p>Advantages</p> <ul style="list-style-type: none"> ✓The product can achieve 360-degree full shielding; ✓ The product can realize secondary interlocking and unlocking; ✓The product has high voltage interlock function; ✓ With anti-foolproof key position to realize the function of preventing wrong insertion; ✓ The connection between the plug and the receptacle is straight-insertion locking;
---	---

• Ordering Information

Ordering information (assembly)		
Key position	I	
Product Name	YGC1176D-EV-P(2+2)RH receptacle	YGC1176D-EV-P(2+2)RHA receptacle
Part No.	112040106758	111000502855
Product Name	YGC1176D-EV-S(2+2)P plug	
Part No.	112030106654	

Ordering information (pinhole parts, purchased separately)	
Product Name	04-6.3×0.8-T40 ~ T60T receptacle (without waterproof plug)
Part No.	501021401627
Wiring specifications	4mm ² -6mm ²
Diagram (reference)	

Ordering information (tail accessories, purchased separately)				
Product Name	Part No.	Qty	Wiring specifications	Diagram (reference)
YG1467 Shielding-Inner-4	114022500492	2	4mm ² (LV216)	
YG1467 Shielding-External-4	114022500495	2		
YG1467 Shielding-Inner-6	114022500494	2	6mm ² (LV216)	
YG1163B Shielding sleeve	114022600253	2		
φ6 tail cover assembly	113990001502	1	4mm ² -6mm ² (LV216)	
		1		
		1		



• Technical Data

Basic Information	
PIN distance	8.6mm
Number of cores	2pin
Cable specifications	6mm ² (φ6.0-φ6.5), 4mm ² (φ5.3-φ5.8)
Outlet direction	180°

Electrical properties	
Rated voltage	1000 V (power), 24 V (signal)
Rated current	30A (4mm ²), 40A (6mm ²)
Withstand voltage	3000 V (power), 1000 V (signal) (50Hz AC normal)
Insulation resistance	≥2000 MΩ (power), ≥1000 MΩ (signal) (normal)
HVIL (Y/N)	Y
Shield (Y/N)	Y

Mechanical properties	
Mechanical life	≥50 times
Vibration level	V2(LV215)

Environmental resistance	
Operating temperature	-40°C ~ +125°C
Protection level	IP67&IP6K9K IPXXB(header plug-in)
Relative humidity	95% (at 40°C)
Altitude	≤4000

Material/Coating/Appearance

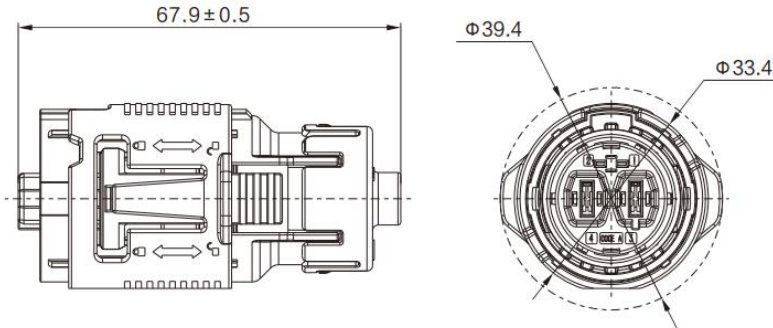
See Parts Drawing

Standards and Certification

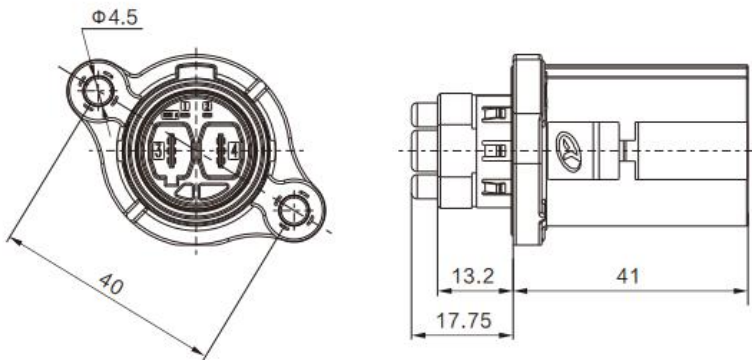
Flame retardant grade	UL94 V-0
Environmental requirements	RoHS 2.0
Implementation Standards	QC/T 1067.1, GB/T 30038, USCAR 37, USCAR 2

• Dimensions

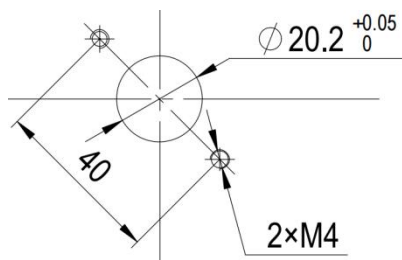
YGC1176D-EV-S(2+2)P Plug assembly appearance (tolerance not specified: ± 0.5)



YGC1176D-EV-P(2+2)RH receptacle assembly appearance (tolerance not specified: ± 0.5)



YGC1176D-EV-P(2+2)RH receptacle opening dimensions (tolerance not specified: ± 0.1)



• Installation Introduction

Special tools	
Removal tools	/
Needle feeding tool	/
Crimping tools	/
Other Tools	/

• Store

Packaging Storage/Transportation Instructions	
Storage requirements	Contact parts (gold-plated, silver-plated) must be stored separately, kept neat, clean and ventilated. The storage environment should be controlled at a humidity of $\leq 60\%$ and a temperature of $5 \sim 30^{\circ}\text{C}$. Reference shelf life 6 months
Transshipment requirements	During packaging, transportation, transfer, production and assembly, the terminals should be protected from collision, contact with corrosive gases and liquids, and direct contact with hands, etc., to ensure that the terminal contact surface is in good condition.